



Tool trolley 95 PRO

95/8 PRO

Product no. **81200166**
GTIN **4018754334698**
Model **95/8 A PRO**

Label.

Tool trolley 95/8 PRO 8 Drawers 496 x 827 x 1020 mm anthracite, RAL 7016; black, RAL 9007



Product highlights.



Durable wheels.

Oil and acid resistant smooth-running wheels (Ø 125 mm) with carpet protection to protect the bearings from dirt and fibres; with two locking brakes.



Optimally organised.

All drawers can be extended up to 100%. Combining the use of STAHLWILLE standard and TCS inserts, or the variable drawer dividers, ensures a clear overview and convenient access to tools.

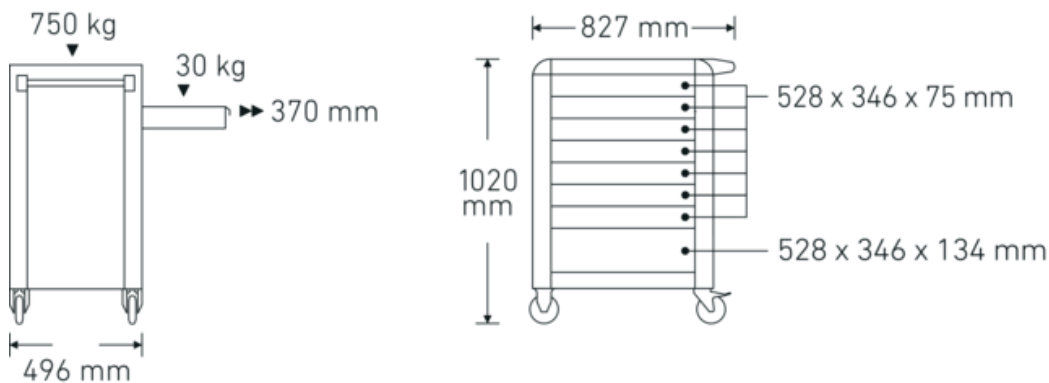
Technologies and features.



Tool Control System

The intelligent modular insert system protects and organizes the tools in tool boxes, workshop trolleys and workshop benches. Two-color foam inlays make checking the completeness of the tools quick and easy.

Technical Drawing.



Technical Attributes.

Number of drawers	8
Width mm (b)	827 mm
Colour	anthracite, RAL 7016; black, RAL 9007
Colour abbreviation	RAL 7016; RAL 9005
Height mm (h)	1020 mm
Length mm (L)	496 mm
Model no.	95/8 A PRO
Internal drawer dimensions mm	346 x 528 x 75 mm (7x) 346 x 528 x 134 mm (1x)
Drawer load capacity	30 kg 45 kg
Load capacity	750 kg

Logistics data.

Depth mm (IFS)	720
Width mm (IFS)	496
Height mm (IFS)	863
Length (packed, mm)	836
Width (packed, mm)	587
Height (packed, mm)	940
Volume (packed, dm ³)	461.28808 dm ³
Product no.	81200166
Weight (gross, kg)	79,000
Weight PAP (kg)	7,500
Weight PVC (kg)	0,000
GTIN	4018754334698
Country of origin AWR	CHINA
Region of origin	Ausländischer Ursprung
WEEE/ElektroG	nicht ear-pflichtig
Customs tariff no.	94032080
Packing standard	1
Weight	71500 g

Variants.

Product no.	Model no. (ERP)	Description	GTIN
81200166	95/8 A PRO	Tool trolley 95/8 PRO 8 Drawers 496 x 827 x 1020 mm anthracite, RAL 7016; black, RAL 9007	4018754334698
81200167	95/8 B PRO	Tool trolley 95/8 PRO 8 Drawers 496 x 827 x 1020 mm blue, RAL 270 30 35	4018754334704
81200168	95/8 R PRO	Tool trolley 95/8 PRO 8 Drawers 496 x 827 x 1020 mm red, RAL 3020; black RAL 9005	4018754334711

GTIN-Code.



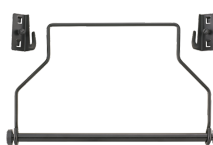
Accessories.



90432802
Protective cover



90432727
Spray can holders



81483004
Paper roll holder



89010040
Cable holder



83812070
Empty tray for small components



81484001
Drawer dividers



81484002
Drawer dividers

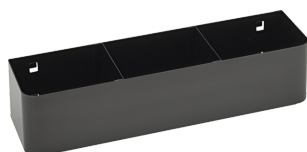


89011053
Trash bin



89010042
Laptop holder adapter

Spare parts/spare part for.



90432719
Spray can holders



81490001
Set of wheels

Images.

