

ASSEMBLY VIEW

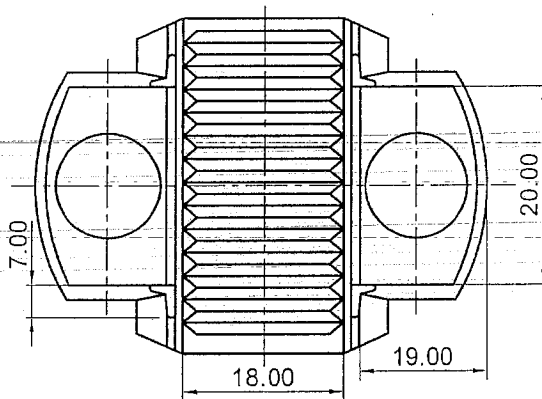
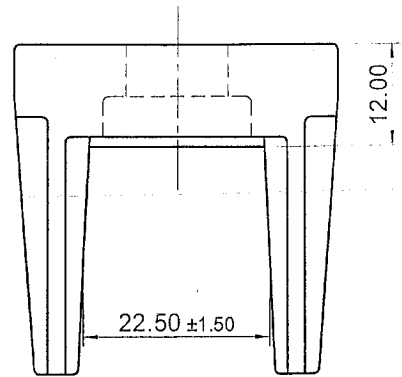
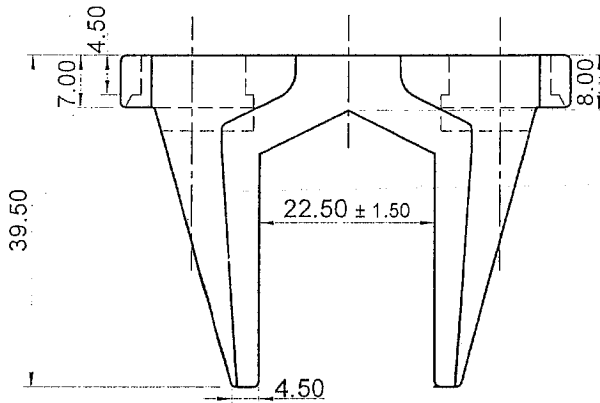
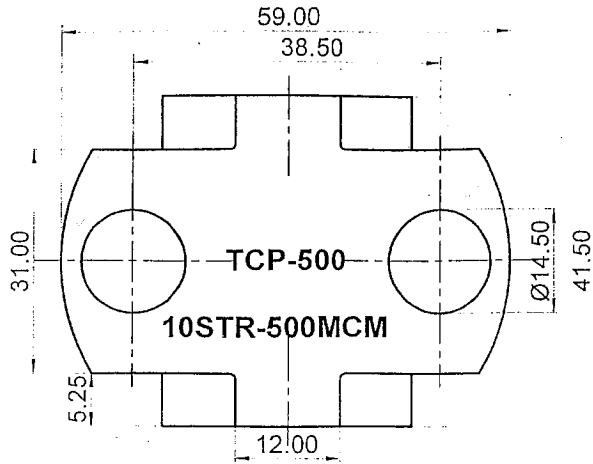


NSi Industries, LLC

TITEL- *Assembly View Of Cast connector TCP. 500*

SCALE- *N.T.S.* FINISH- _____

	NAME	DATE
DRAWN	SD	09/05/2006
CHECKED	KM	09/05/2006
APPROVED	KM	09/05/2006
MATERIAL	-	
TOLERANCE	-	
Drawing No.	-	2766/a



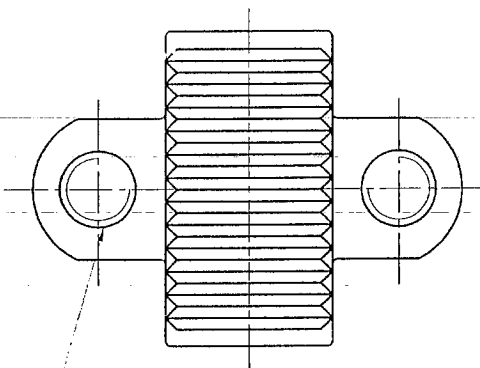
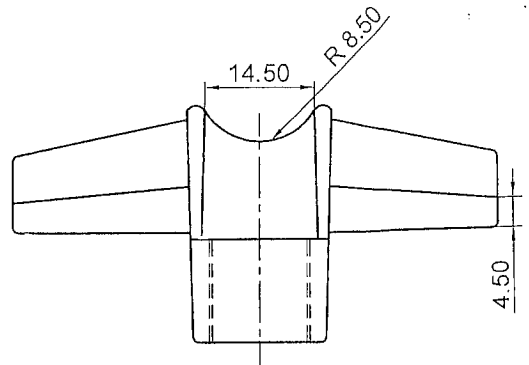
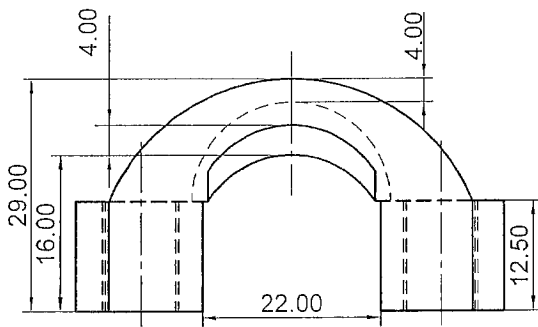
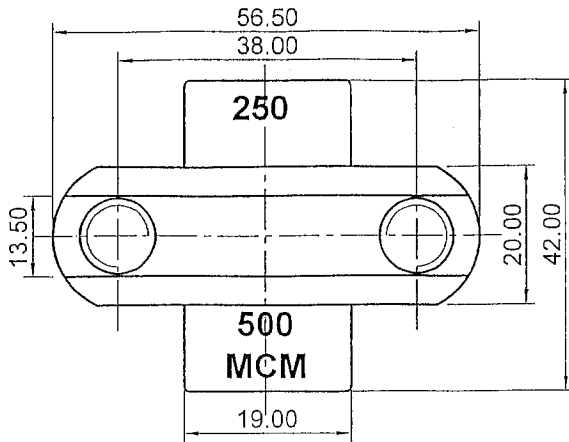
NSi Industries, LLC

	NAME	DATE
DRAWN	SD	09/05/2006
CHECKED	KM	09/05/2006
APPROVED	KM	09/05/2006
MATERIAL	- C-956	
TOLERANCE	- ±0.50	
Drawing No.	- 2766/b	

TITEL - Body TCP 500

SCALE - N.T.S. FINISH - Tin Plated

All dimensions are in mm



1/2"X13 U.N.C.



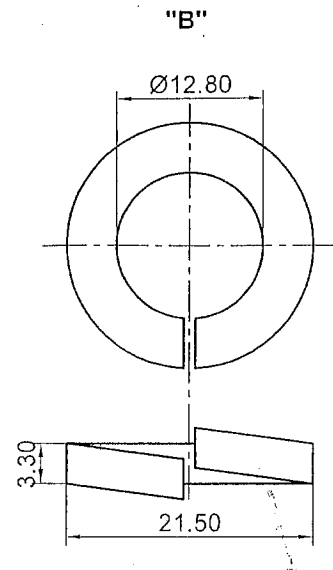
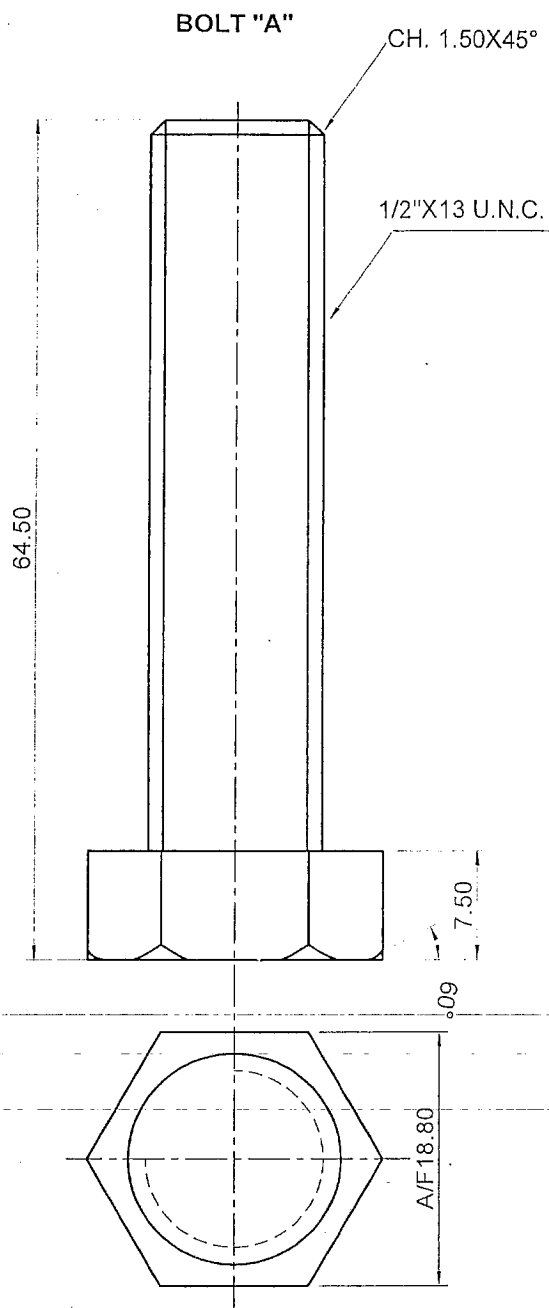
NSi Industries, LLC

TITEL - Base TCP 500

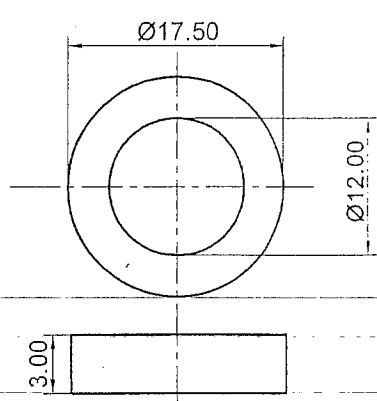
SCALE- N.T.S. FINISH- Tin Plated

All dimensions are in mm

	NAME	DATE
DRAWN	SD	09/05/2006
CHECKED	KM	09/05/2006
APPROVED	KM	09/05/2006
MATERIAL	- C-956	
TOLERANCE	- ±0.50	
Drawing No.	- 2766/c	



RUBBER WASHER "C"



ITEM	MATERIAL
A	S.S304
B	S.S304
C	NEOPRENE

	NAME	DATE
DRAWN	SD	09/05/2006
CHECKED	KM	09/05/2006
APPROVED	KM	09/05/2006
MATERIAL	- As Per Chart	
TOLERANCE	- ±0.25	



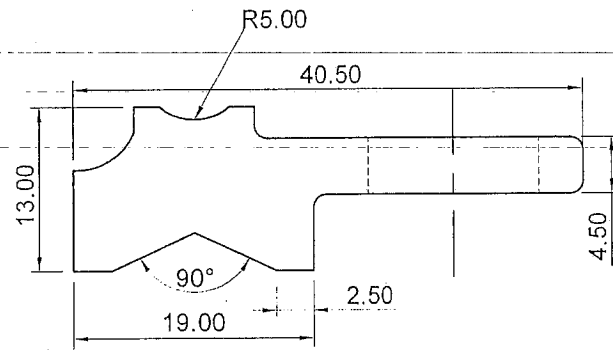
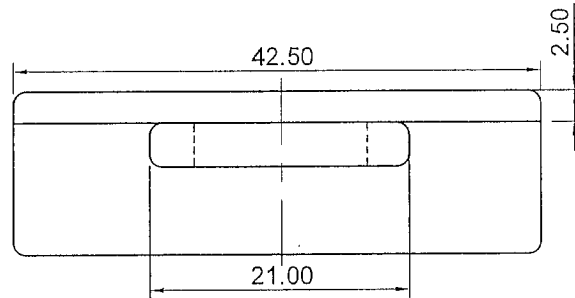
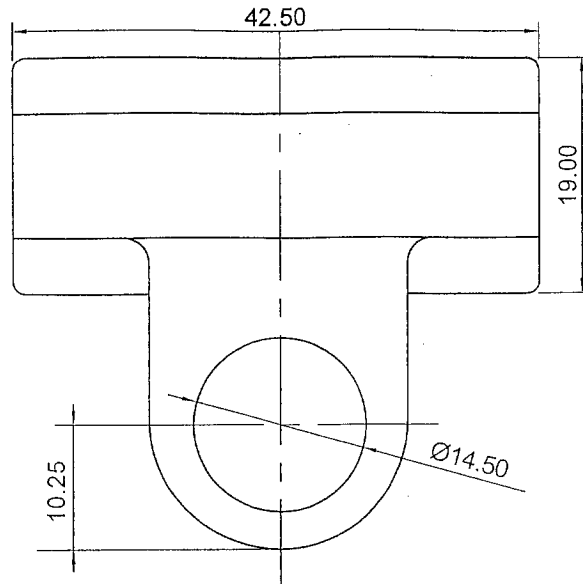
NSi Industries, LLC

TITEL - Accesories TCP 500

SCALE - N.T.S. FINISH- Natural

All dimensions are in mm

Drawing No. - 2766/d



NSi Industries, LLC

TITEL - *Spacer TCP 500*

SCALE- *N.T.S.* FINISH- *Tin Plated*

All dimensions are in mm

	NAME	DATE
DRAWN	SD	09/05/2006
CHECKED	KM	09/05/2006
APPROVED	KM	09/05/2006
MATERIAL	- C-83300	
TOLERANCE	- ±0.25	
Drawing No.	- 2766/e	