

ASSEMBLY VIEW

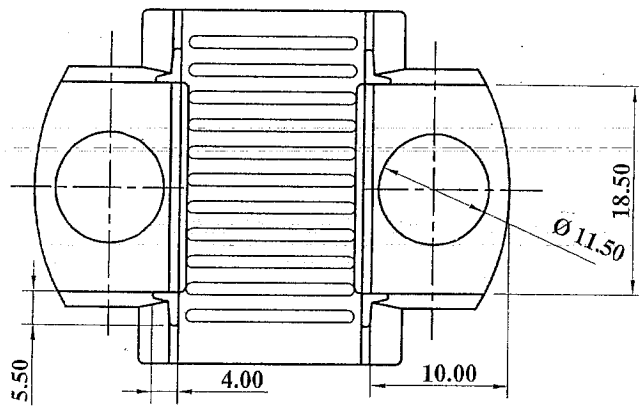
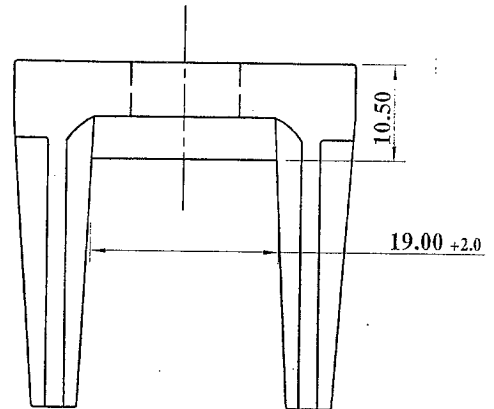
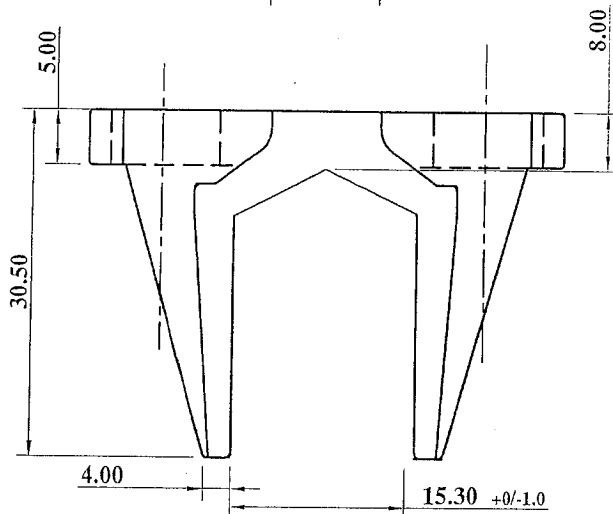
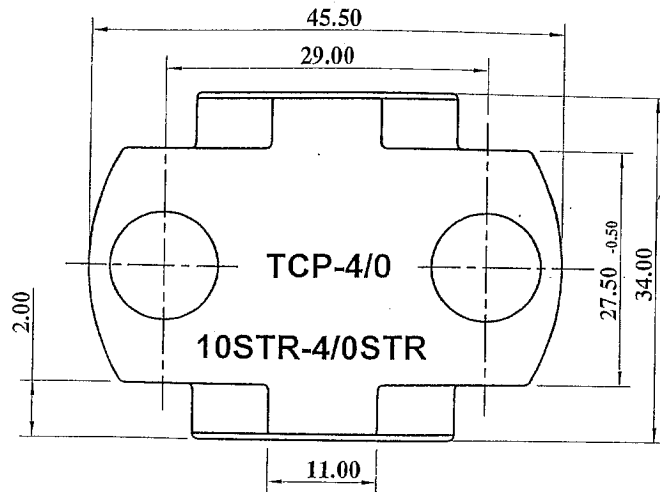
	NAME	DATE
DRAWN	SD	09/05/2006
CHECKED	KM	09/05/2006
APPROVED	KM	09/05/2006
MATERIAL -		
TOLERANCE -		
Drawing No. -		2774/a



NSi Industries, LLC

TITEL- *Assembly View Of Cast Connector TCP. 4/0*

SCALE- *N.T.S.* FINISH- _____



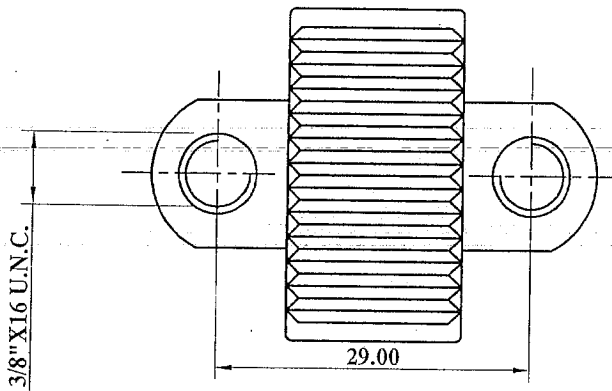
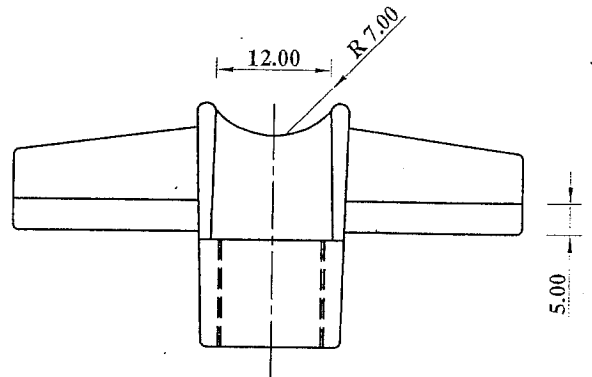
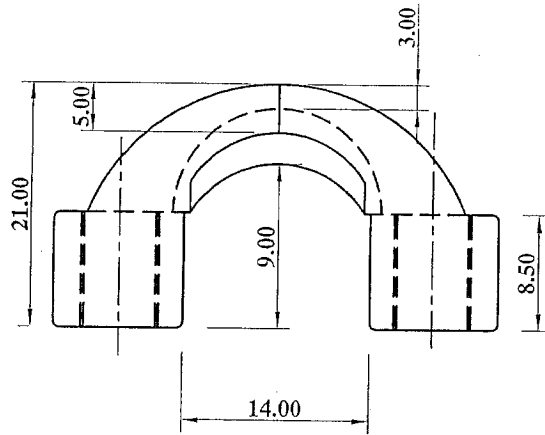
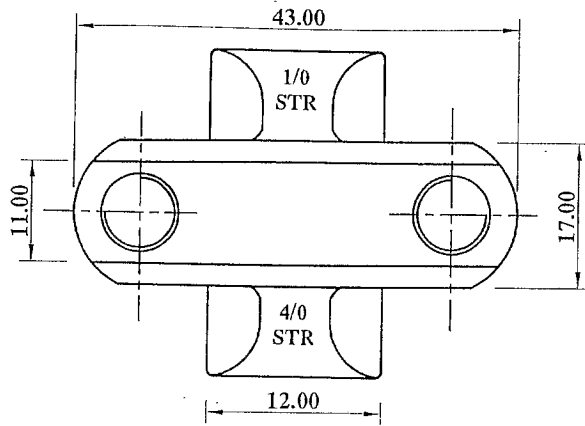
NSi Industries, LLC

SCALE-N.T.S. TITEL- Body TCP 4/0,

TREATMENT- Tin Plated

ALL DIMENSION ARE IN M.M.

	NAME	DATE
DRAWN	SD	09/05/2006
CHECKED	KM	09/05/2006
APPROVED	KM	09/05/2006
MATERIAL-	C-956	
TOLERANCE-	+/- 0.50	
DRAWING NO.-	2774/b	



NSi Industries, LLC

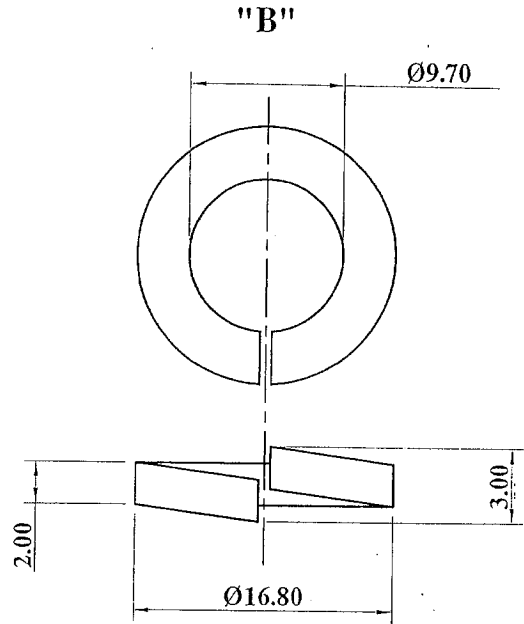
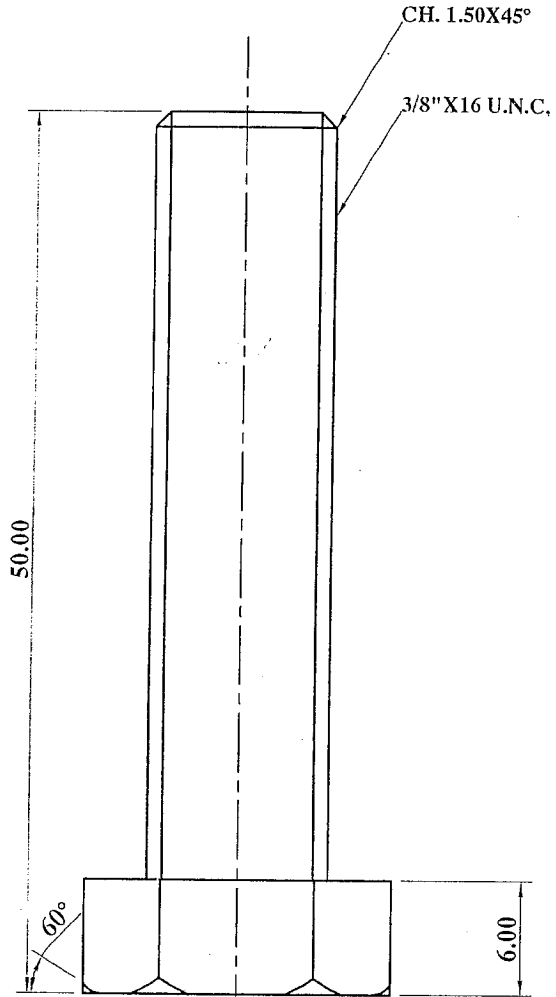
SCALE-N.T.S. TITEL- Base TCP-4/0;

TREATMENT- Tin Plating

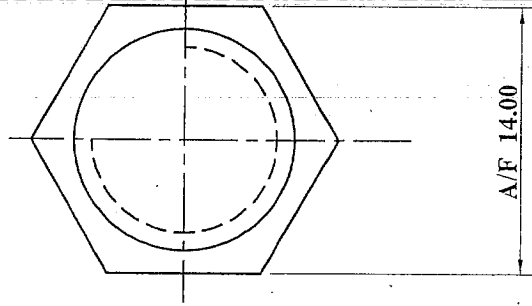
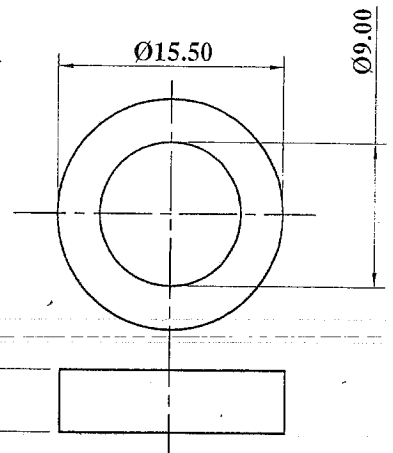
ALL DIMENSION ARE IN M.M.

	NAME	DATE
DRAWN	SD	09/05/2006
CHECKED	KM	09/05/2006
APPROVED	KM	09/05/2006
MATERIAL-	C-956	
TOLERANCE-	+/- 0.50	
DRAWING NO. -	2774/c	


BOLT "A"



RUBBER WASHER "C"



ITEM	MATERIAL
A	S.S.-304
B	S.S.-304
C	NEOPRENE

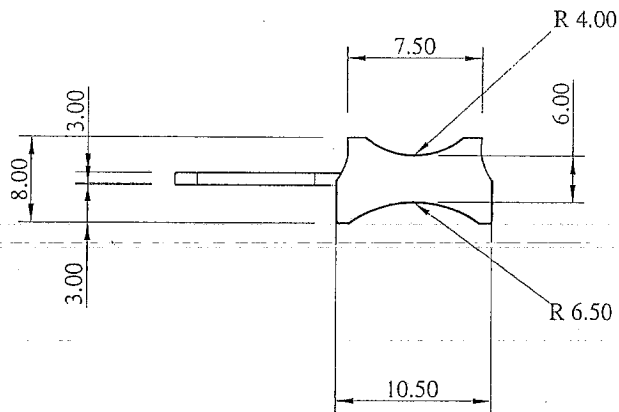
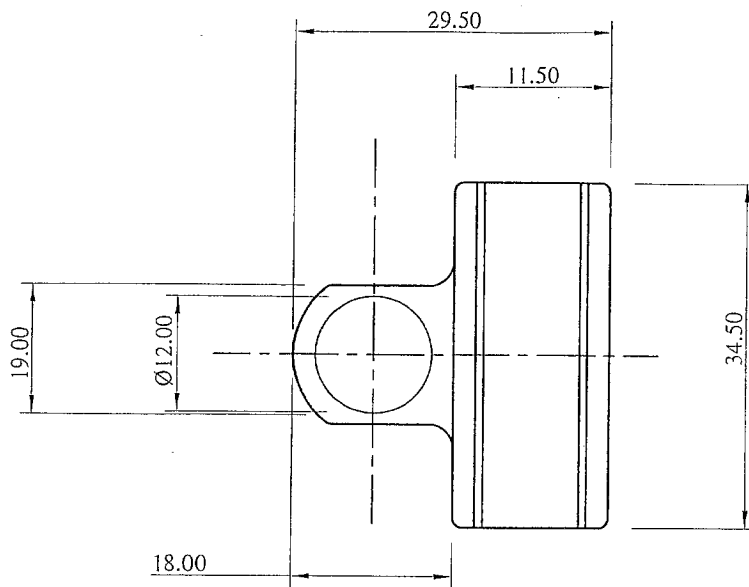


NSi Industries, LLC

	NAME	DATE
DRAWN	SD	09/05/2006
CHECKED	KM	09/05/2006
APPROVED	KM	09/05/2006
MATERIAL-	As Per Chart	
TOLERANCE-	+/- 0.25	

SCALE-N.T.S.	TITEL- Accesories TCP-4/0
TREATMENT- Natural	ALL DIMENSION ARE IN M.M.

DRAWING NO.-	2774/d
--------------	--------



NSi Industries, LLC

SCALE-N.T.S. TITEL- Spacer TCP 4/0

TREATMENT- Tin Plated

ALL DIMENSION ARE IN M.M.

	NAME	DATE
DRAWN	SD	09/05/2006
CHECKED	KM	09/05/2006
APPROVED	KM	09/05/2006
MATERIAL-	C-83300	
TOLERANCE-	+/- 0.50	
DRAWING NO.-	2774/e	