

ASSEMBLY VIEW

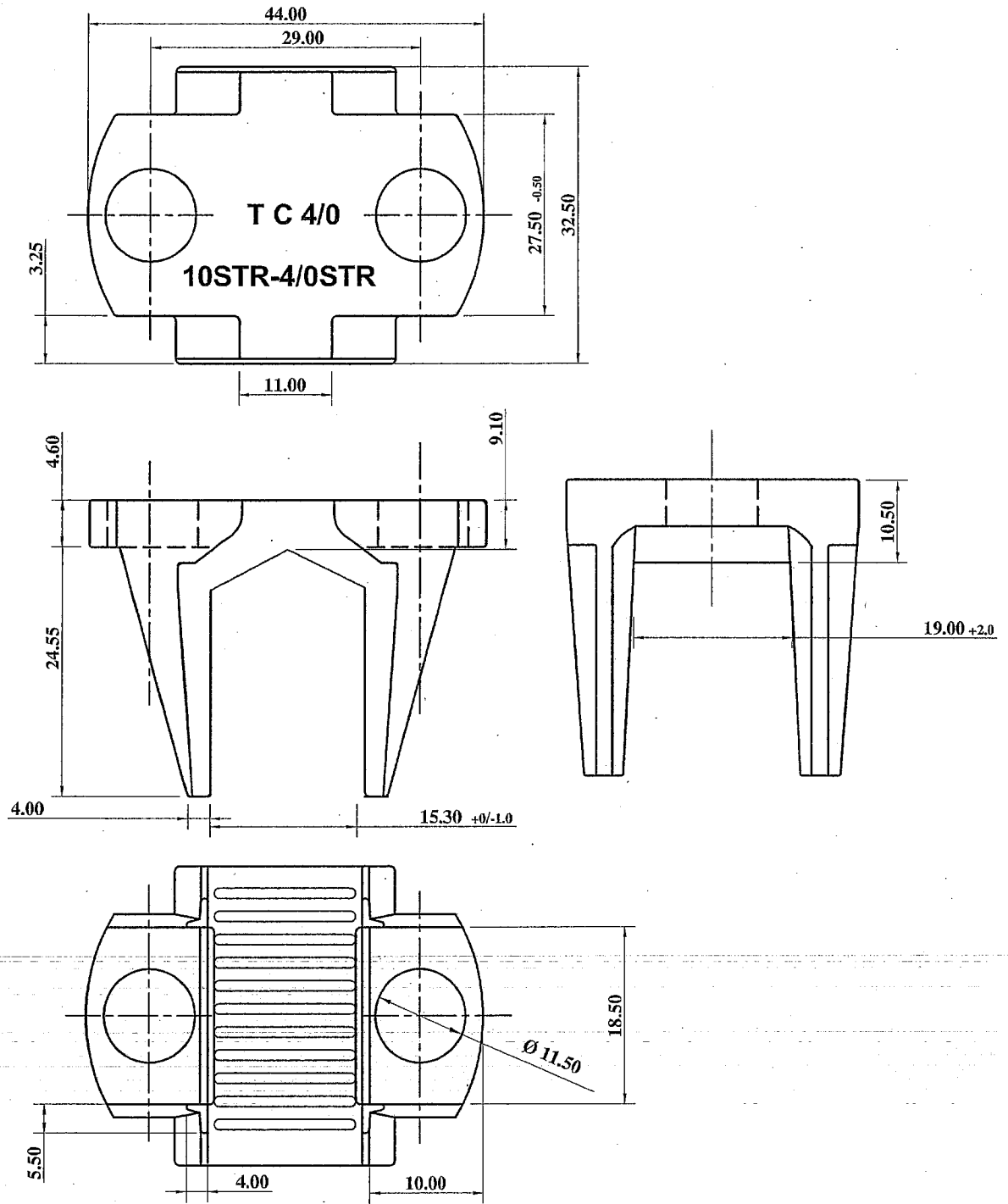


	NAME	DATE
DRAWN	SD	15/05/2006
CHECKED	KM	15/05/2006
APPROVED	KM	15/05/2006
MATERIAL	-	
TOLERANCE	-	

TITEL- *Assembly View Of Cast Clamp TC. 4/0*

SCALE- *N.T.S.* FINISH- _____

Drawing No. - **2773/a**

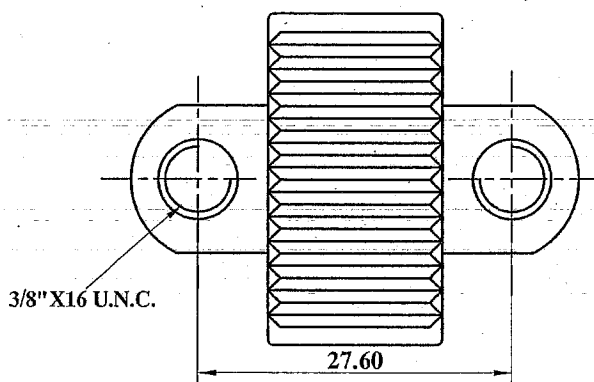
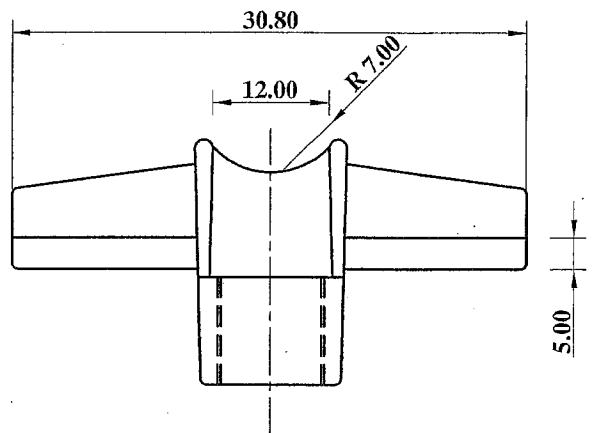
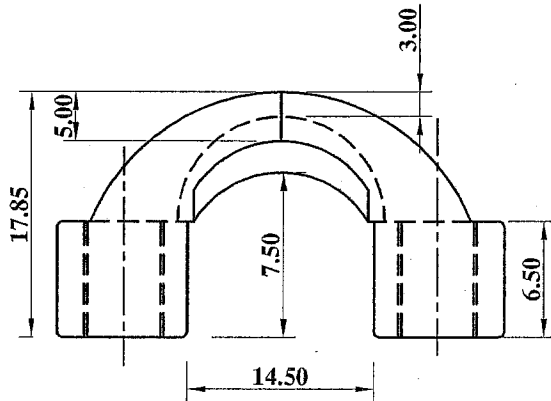
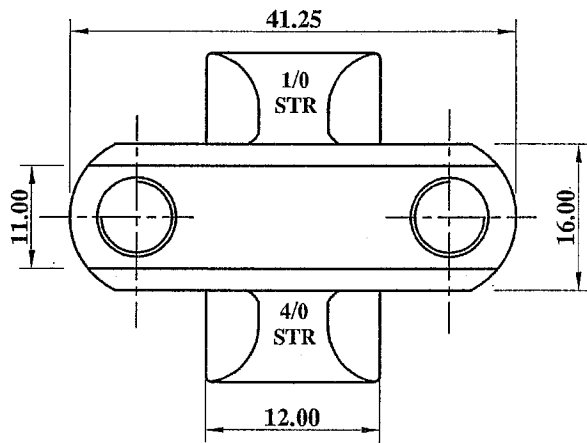


	NAME	DATE
DRAWN	SD	15/05/2006
CHECKED	KM	15/05/2006
APPROVED	KM	15/05/2006
MATERIAL-	C-956	
TOLERANCE-	+/- 0.50	
DRAWING NO.-	2773/b	

SCALE-N.T.S. TITEL- Body TC-4/0

TREATMENT- Natural

ALL DIMENSION ARE IN M.M.



	NAME	DATE
DRAWN	SD	15/05/2006
CHECKED	KM	15/05/2006
APPROVED	KM	15/05/2006
MATERIAL-	C-956	
TOLERANCE-	+/- 0.50	

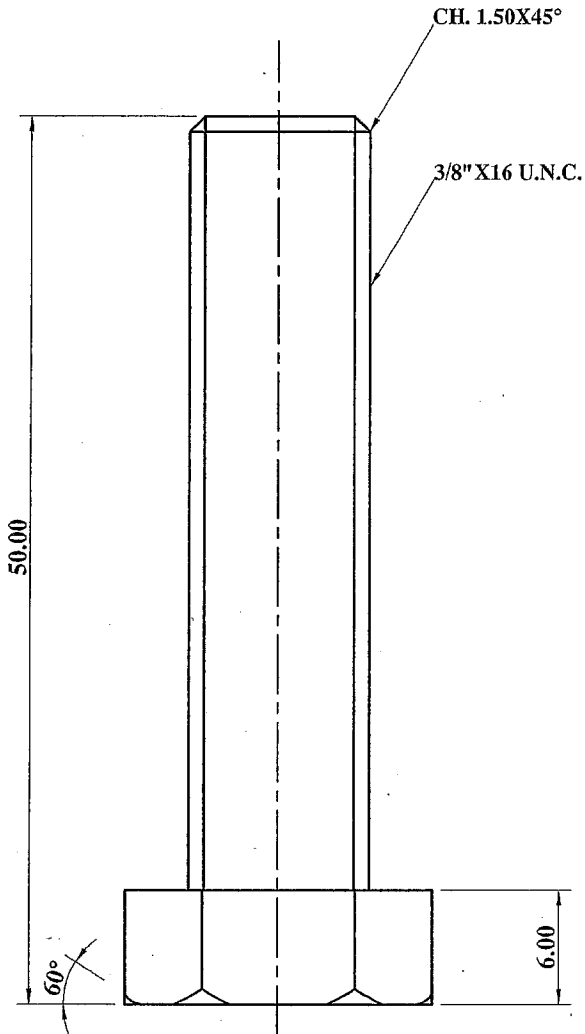
SCALE-N.T.S. TITEL- BaseTC-4/0

TREATMENT- Natural

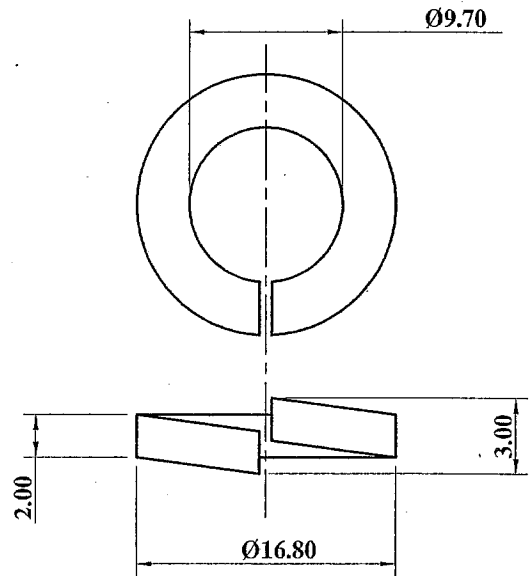
ALL DIMENSION ARE IN M.M.

DRAWING NO. - 2773/c

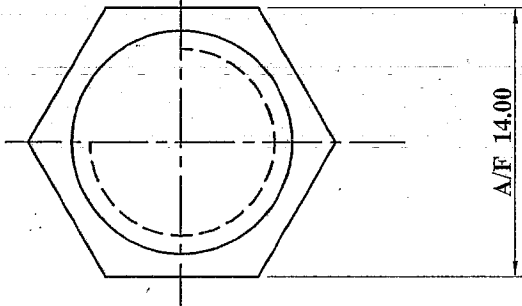
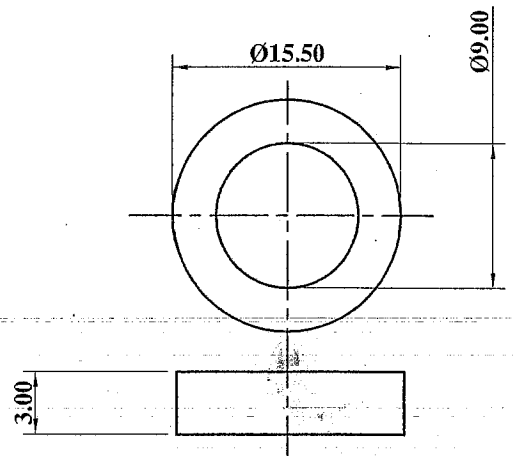
BOLT "A"



"B"



RUBBER WASHER "C"



ITEM	MATERIAL
A	COPPER SILICON BRONZE
B	S.S. -304
C	NEOPRENE



	NAME	DATE
DRAWN	SD	15/05/2006
CHECKED	KM	15/05/2006
APPROVED	KM	15/05/2006
MATERIAL-	As Per Chart	
TOLERANCE-	+/- 0.25	

SCALE-N.T.S. TITEL- Accessories TC-4/0

TREATMENT- Natural

ALL DIMENSION ARE IN M.M.

DRAWING NO.- 2773/d