

ASSEMBLY VIEW

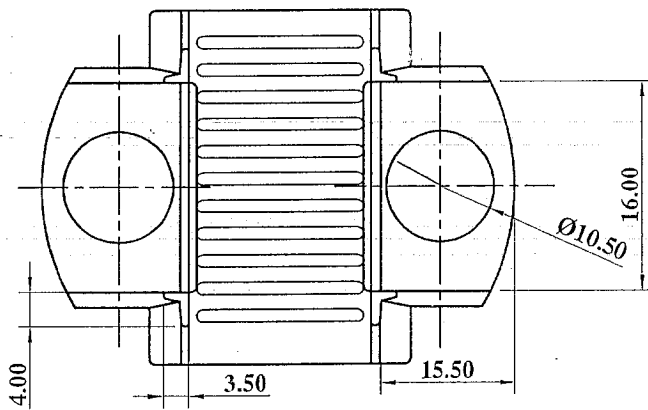
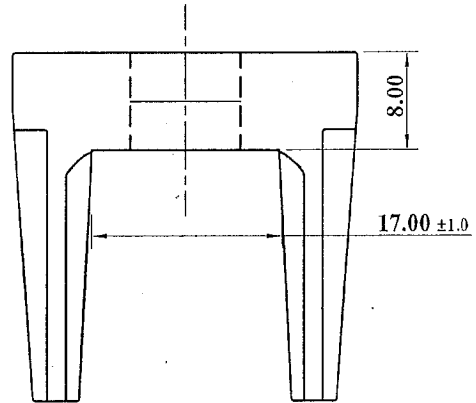
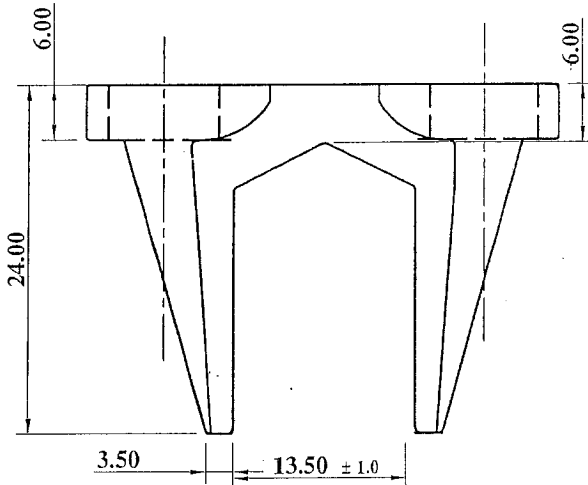
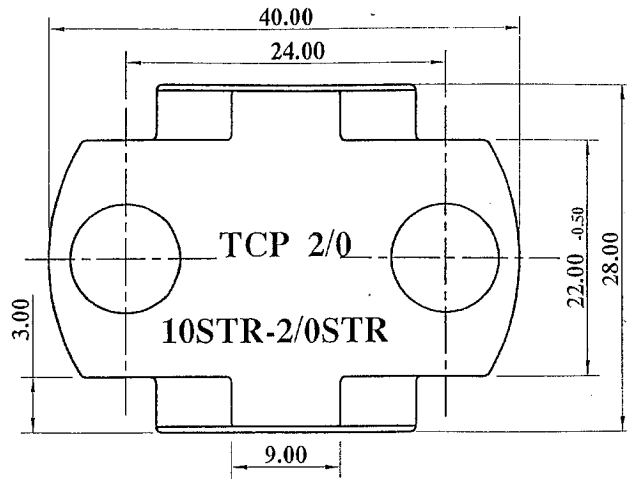


NSi Industries, LLC

TITEL- *Assembly View Of Cast Connector TCP. 2/0*

SCALE- *N.T.S.* FINISH- _____

	NAME	DATE
DRAWN	SD	09/05/2006
CHECKED	KM	09/05/2006
APPROVED	KM	09/05/2006
MATERIAL	-	
TOLERANCE	-	
Drawing No.	-	2776/a



	NAME	DATE
DRAWN	SD	09/05/2006
CHECKED	KM	09/05/2006
APPROVED	KM	09/05/2006
MATERIAL-	C-956	
TOLERANCE-	+/- 0.50	
DRAWING NO.-	2776/b	

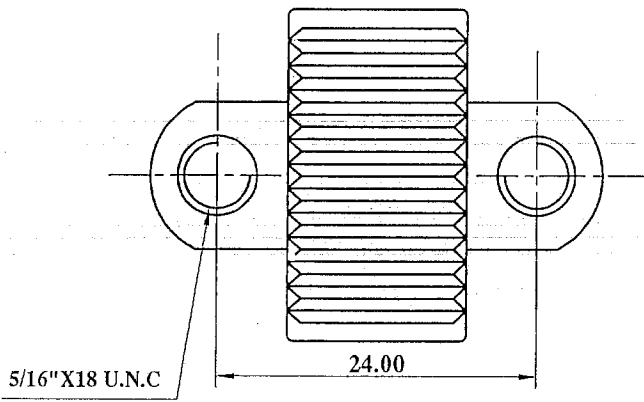
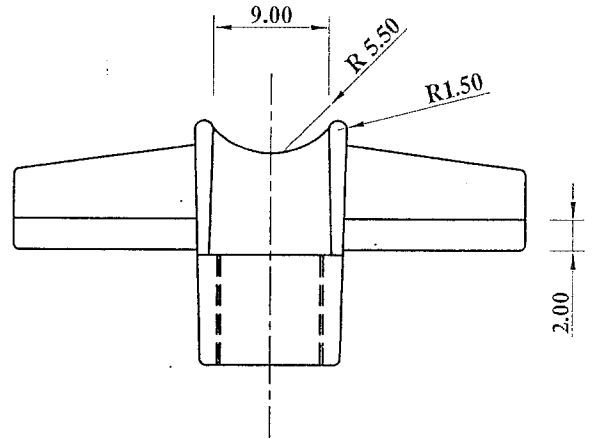
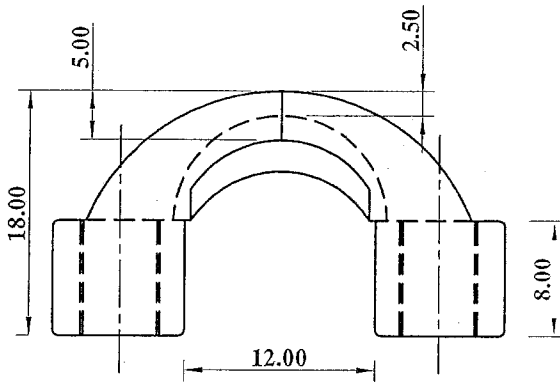
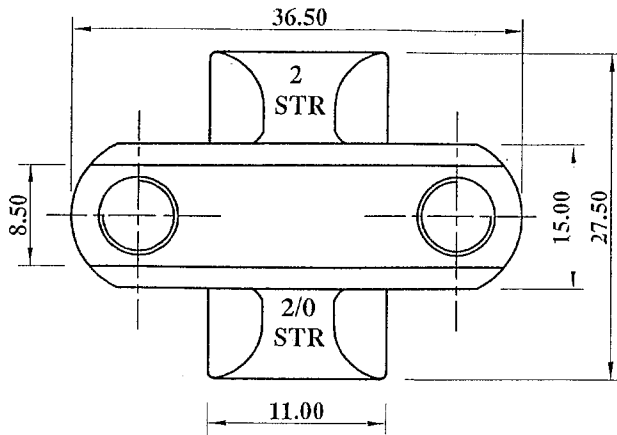


NSi Industries, LLC

SCALE-N.T.S. TITEL- Body TCP 2/0

TREATMENT- Tin Plated

ALL DIMENSION ARE IN M.M.



NSi Industries, LLC

	NAME	DATE
DRAWN	SD	09/05/2006
CHECKED	KM	09/05/2006
APPROVED	KM	09/05/2006
MATERIAL-	C-956	
TOLERANCE-	+/- 0.50	

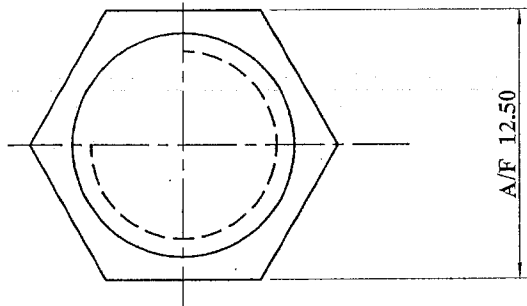
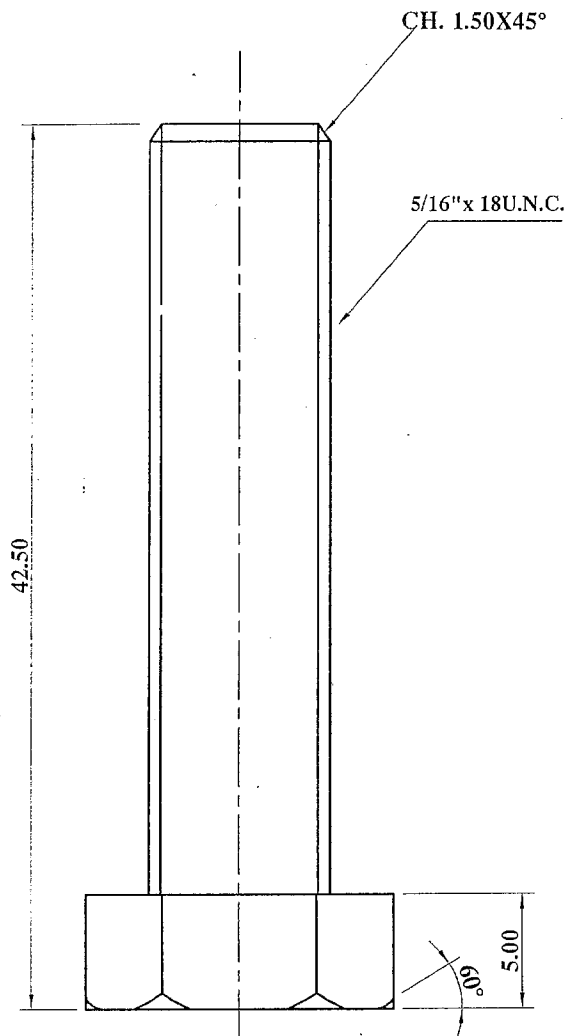
SCALE-N.T.S. TITEL- Base TCP 2/0 :

DRAWING NO. 2776/c

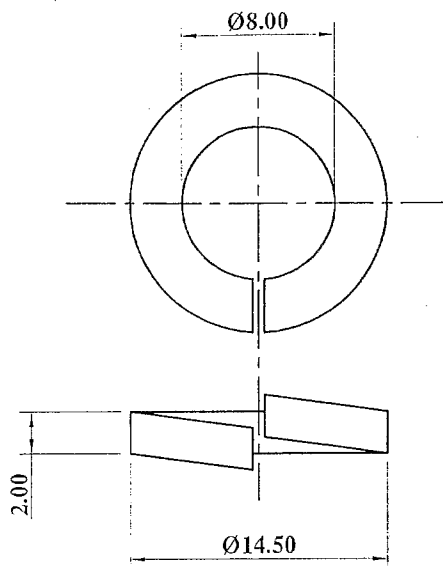
TREATMENT- Tin Plated

ALL DIMENSION ARE IN M.M.

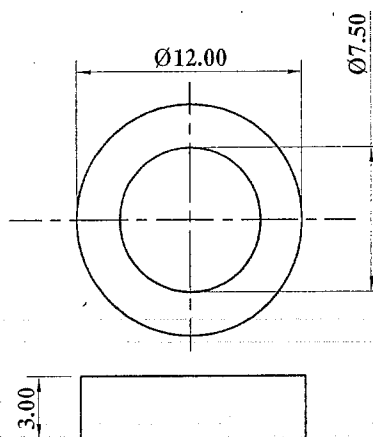
BOLT "A"



WASHER "B"



RUBBER WASHER "C"



ITEM	MATERIAL
A	S.S304
B	S.S304
C	NEOPRENE

	NAME	DATE
DRAWN	SD	09/05/2006
CHECKED	KM	09/05/2006
APPROVED	KM	09/05/2006
MATERIAL- As Per Chart		
TOLERANCE- +/- 0.25		



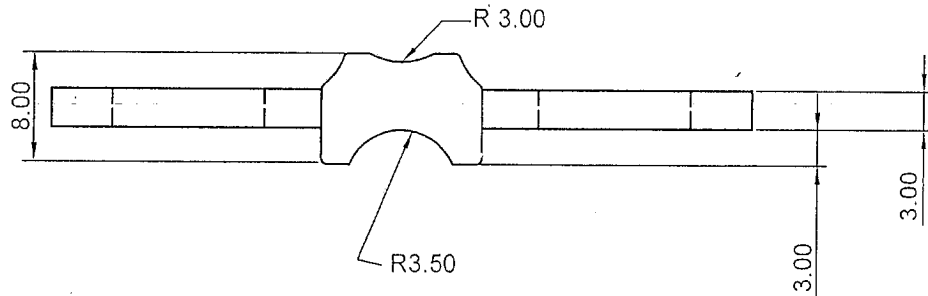
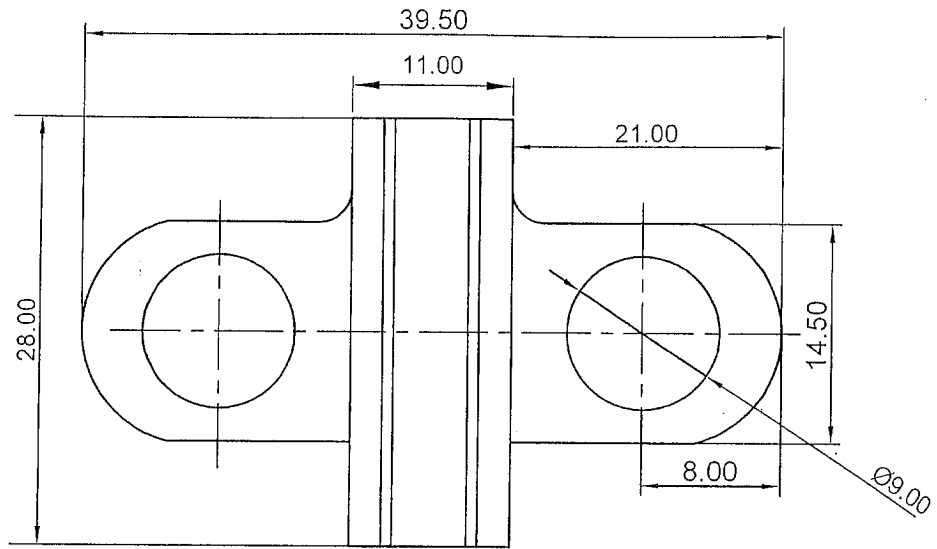
NSi Industries, LLC

SCALE-N.T.S. TITEL- ACCESORIES .TCP 2/0

TREATMENT- NATURAL

ALL DIMENSION ARE IN M.M.

DRAWING NO. 2776/d



	NAME	DATE
DRAWN	SD	09/05/2006
CHECKED	KM	09/05/2006
APPROVED	KM	09/05/2006
MATERIAL	- C-83300	
TOLERANCE	- ± 0.25	



NSi Industries, LLC

TITEL - *Spacer TCP 2/0*

SCALE- *N.T.S.* FINISH - *Tin Plated*

All dimensions are in mm

Drawing No. - **2776/e**