

ASSEMBLY VIEW



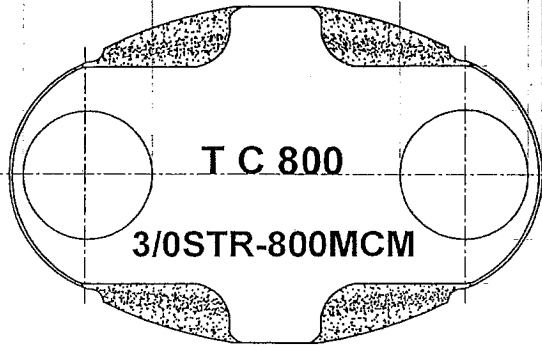
NSi Industries, LLC

TITEL- *Assembly View Of Cast Clamp TC. 800*

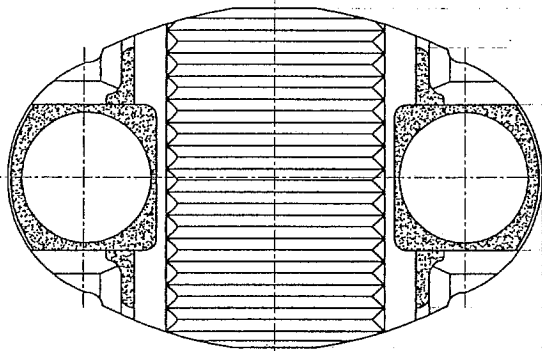
SCALE- *N.T.S.* FINISH- _____

	NAME	DATE
DRAWN	SD	15/05/2006
CHECKED	KM	15/05/2006
APPROVED	KM	15/05/2006
MATERIAL	-	
TOLERANCE	-	
Drawing No.	-	2769/a

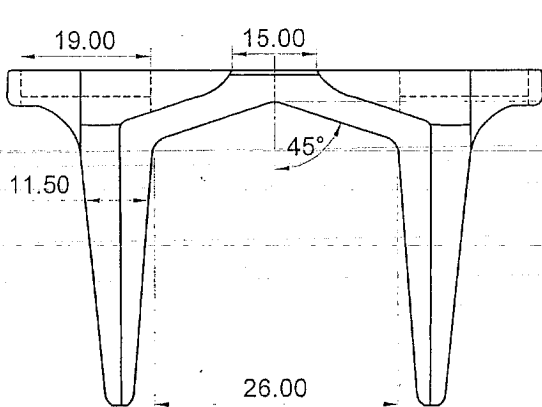
4.00 15.00 29.50 15.00 4.00



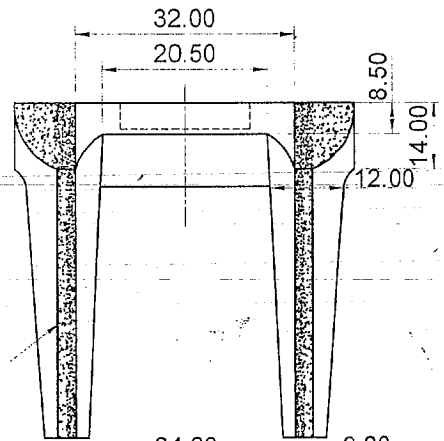
14.00
32.00



67.50



49.50



R2.50



NSi Industries, LLC

	NAME	DATE
DRAWN	SD	15/05/2006
CHECKED	KM	15/05/2006
APPROVED	KM	15/05/2006

MATERIAL - C-956

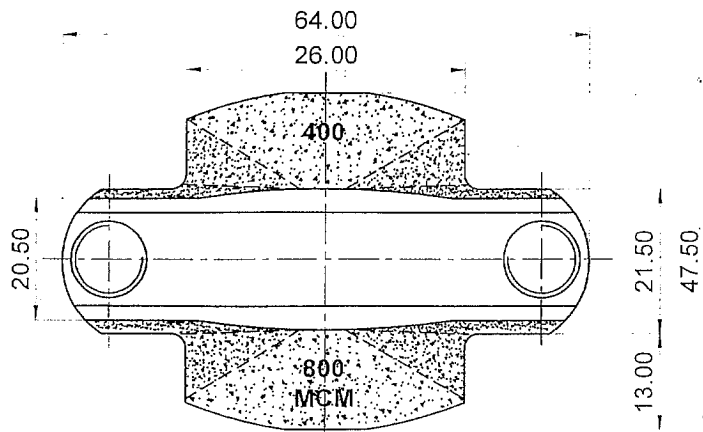
TOLERANCE - ±0.25

TITEL - Body TC 800

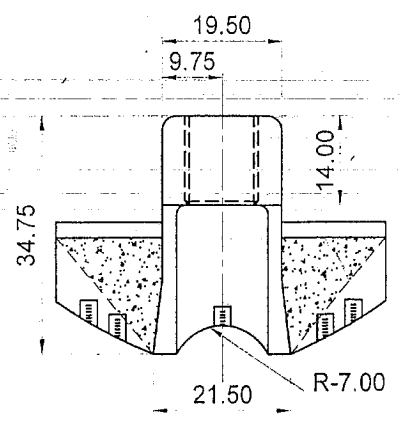
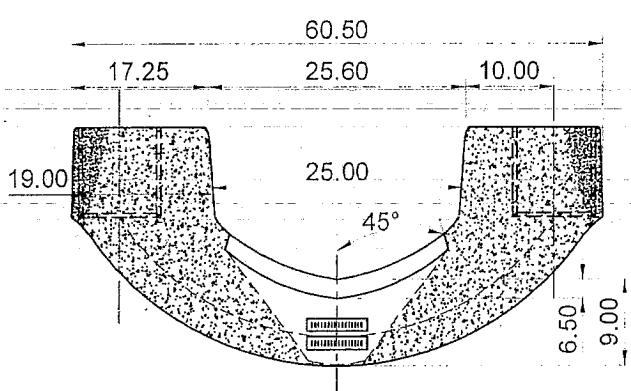
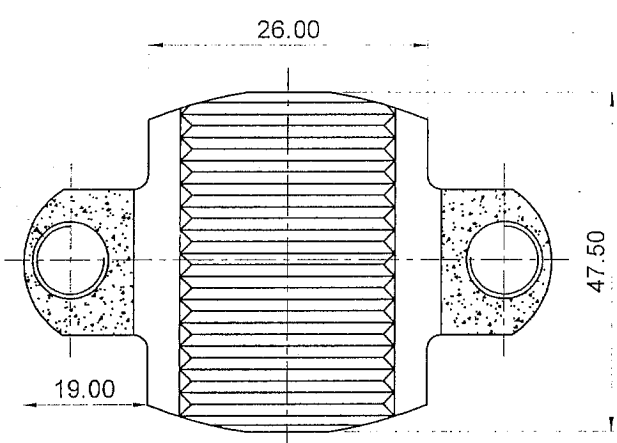
SCALE - N.T.S. FINISH - Natural

All dimensions are in mm

Drawing No. - 2769/b



1/2"X13UNC.



NSi Industries, LLC

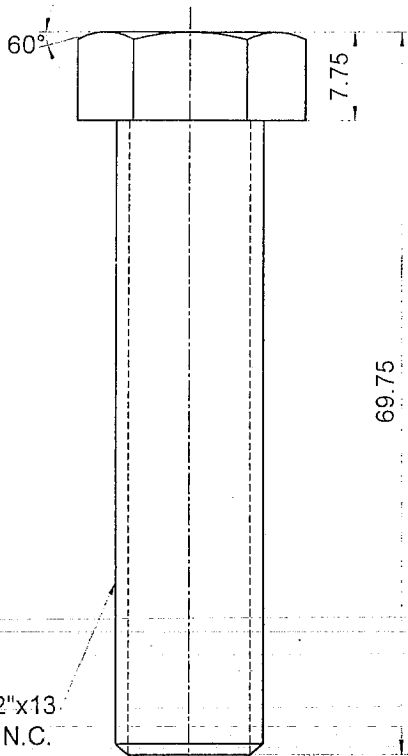
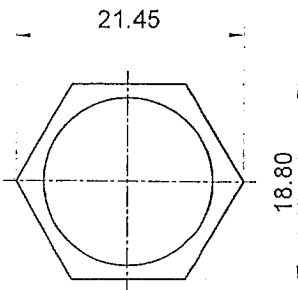
TITEL- Base TC 800

SCALE- N.T.S. FINISH - Natural

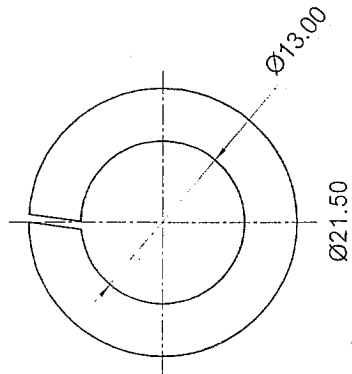
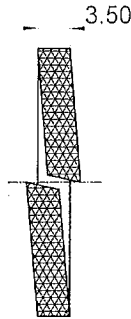
All dimensions are in mm

	NAME	DATE
DRAWN	SD	15/05/2006
CHECKED	KM	15/05/2006
APPROVED	KM	15/05/2006
MATERIAL	- C-956	
TOLERANCE	- ±0.50,	
Drawing No.	- 2769/c	

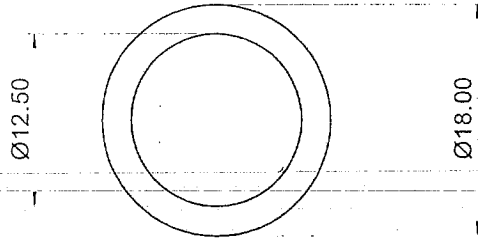
BOLT "A"



"B"



RUBBER WASHER "C"



2733-d-1

Qty.- 2 Pcs.

CHART

ITEM	MATERIAL
A	COPPER SILICON BRONZE
B	S.S. - 304
C	NEOPRENE



NSi Industries, LLC

TITEL - *Accesorios TC 800*

SCALE- *N.T.S.*

FINISH - *Natural*

All dimensions are in mm

	NAME	DATE
DRAWN	SD	15/05/2006
CHECKED	KM	15/05/2006
APPROVED	KM	15/05/2006
MATERIAL	- <i>As Per Chart</i>	
TOLERANCE	- <i>±0.15</i>	
Drawing No.	- 2769/d	