

ASSEMBLY VIEW



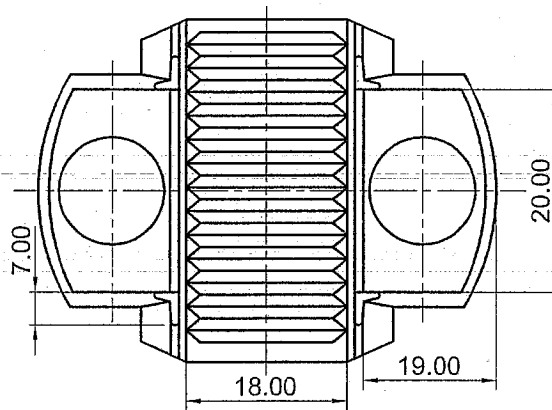
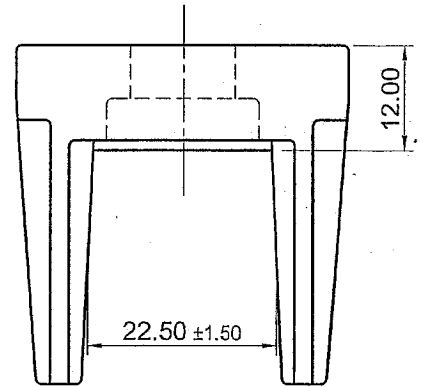
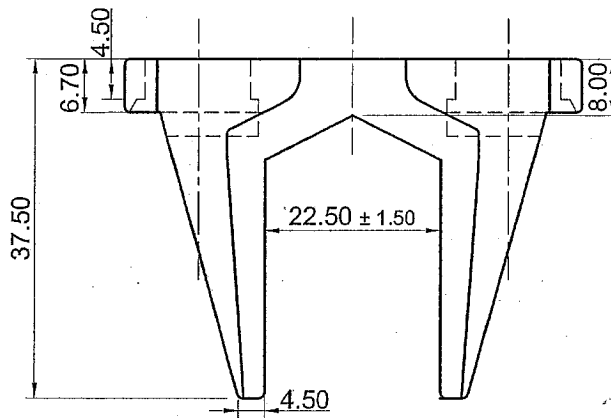
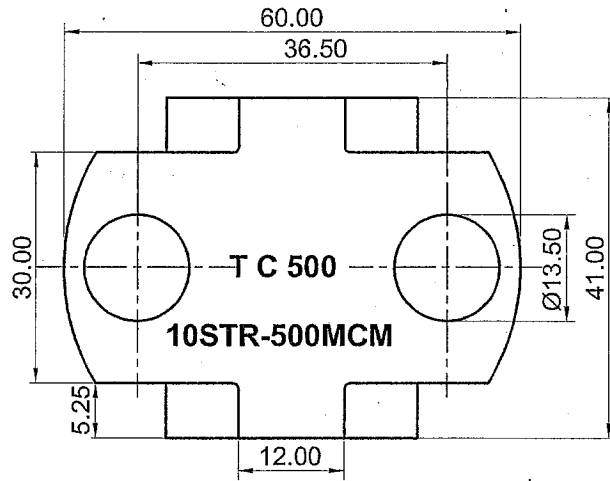
NSi Industries, LLC

	NAME	DATE
DRAWN	SD	09/05/2006
CHECKED	KM	09/05/2006
APPROVED	KM	09/05/2006
MATERIAL	-	
TOLERANCE	-	

TITEL- *Assembly View Of Cast Connector* TC. 500

SCALE- *N.T.S.* FINISH- _____

Drawing No. - **2765/a**



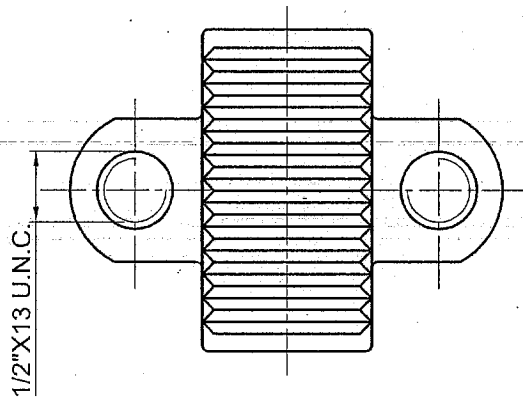
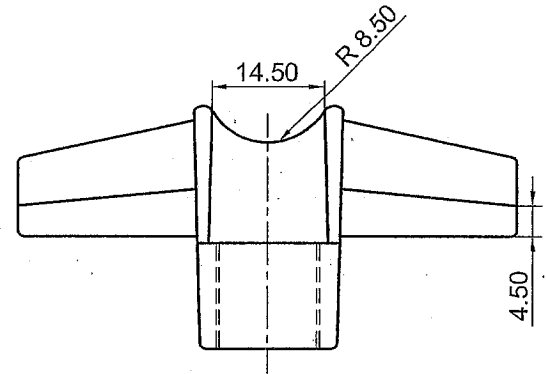
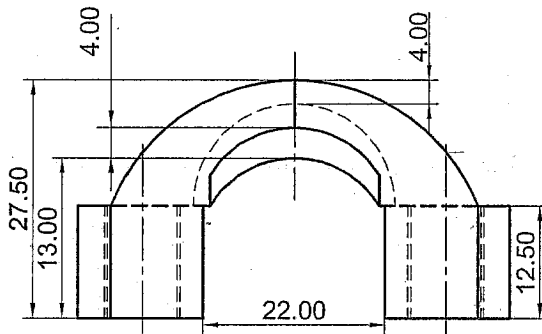
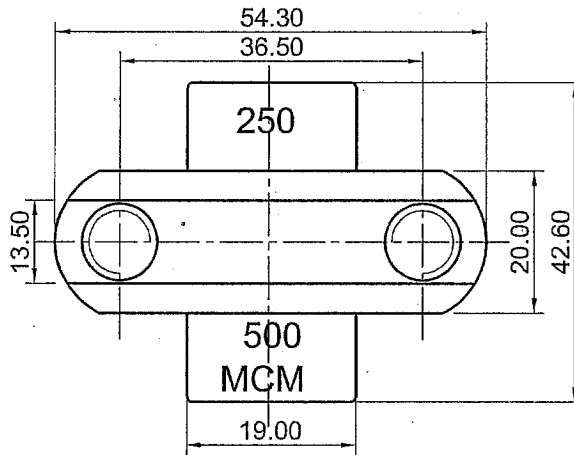
NSi Industries, LLC

TITEL - *Body TC 500*

SCALE- *N.T.S.* FINISH - Natural

All dimensions are in mm

	NAME	DATE
DRAWN	SD	09/05/2006
CHECKED	KM	09/05/2006
APPROVED	KM	09/05/2006
MATERIAL	- C-956	
TOLERANCE	- ±0.50	
Drawing No.	- 2765/b	



NSi Industries, LLC

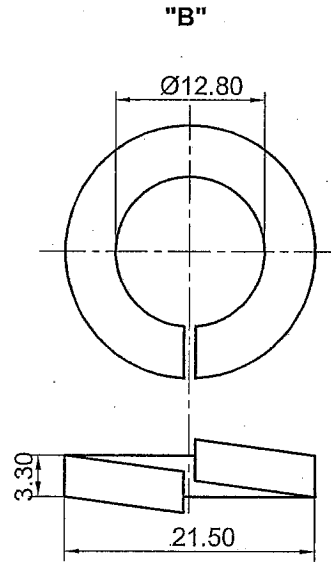
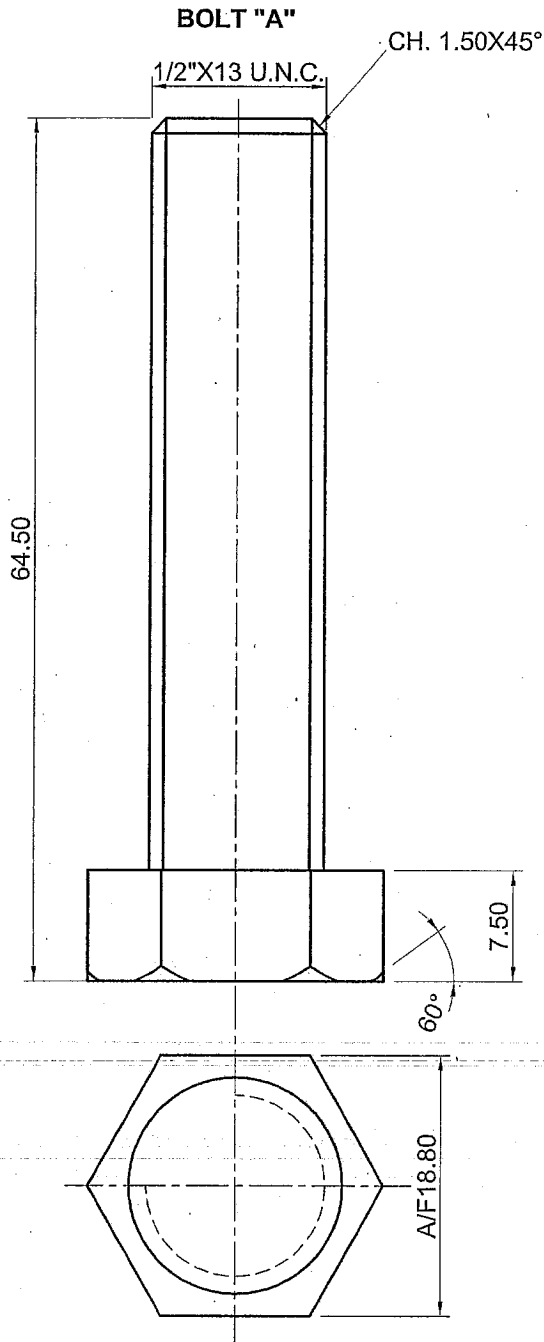
TITEL - *Base-TC 500*

SCALE- *N.T.S.*

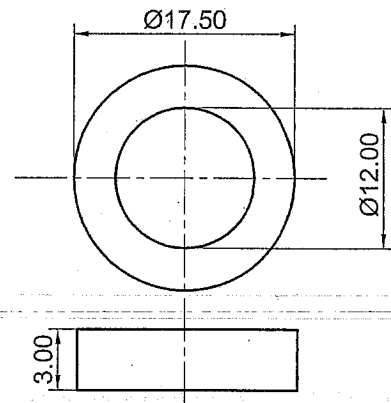
FINISH- *Natural*

All dimensions are in mm

	NAME	DATE
DRAWN	SD	09/05/2006
CHECKED	KM	09/05/2006
APPROVED	KM	09/05/2006
MATERIAL	- C-956	
TOLERANCE	- ±0.50	
Drawing No.	- 2765/c	



RUBBER WASHER "C"



ITEM	MATERIAL
A	COPPER SILICON BRONZE
B	S.S.-304
C	NEOPRENE

	NAME	DATE
DRAWN	SD	09/05/2006
CHECKED	KM	09/05/2006
APPROVED	KM	09/05/2006
MATERIAL	- As Per Chart	
TOLERANCE	- ±0.25	



NSi Industries, LLC

TITEL - *Accessories - TC 500*

SCALE - *N.T.S.* FINISH- *Natural*

All dimensions are in mm

Drawing No. - **2765/d**