

ASSEMBLY VIEW

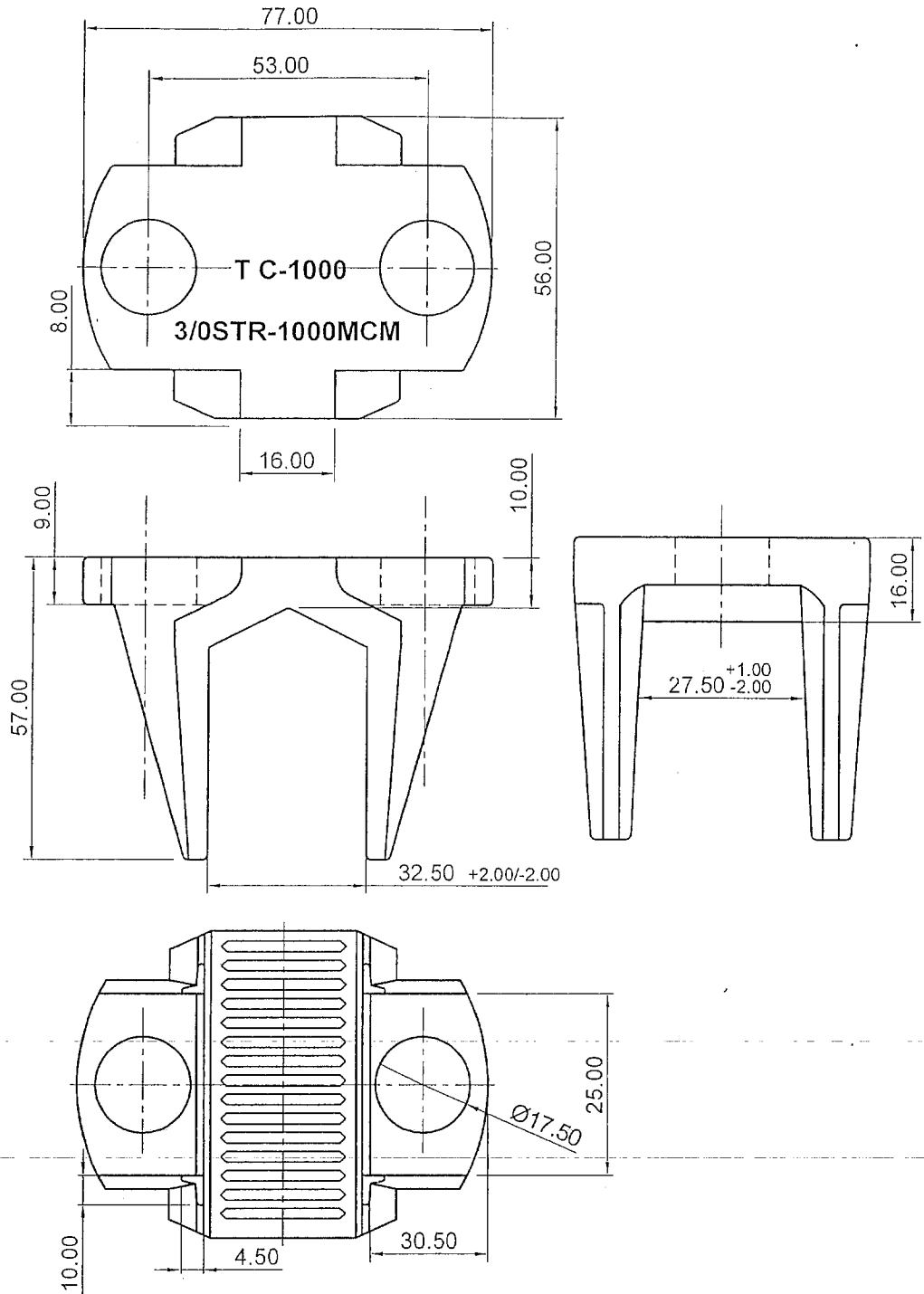


NSi Industries, LLC

	NAME	DATE
DRAWN	SD	09/05/2006
CHECKED	KM	09/05/2006
APPROVED	KM	09/05/2006
MATERIAL	-	
TOLERANCE	-	
Drawing No.	-	2763/a

TITEL- *Assembly View Of Cast Connector TC-1000*

SCALE- *N.T.S.* FINISH- _____



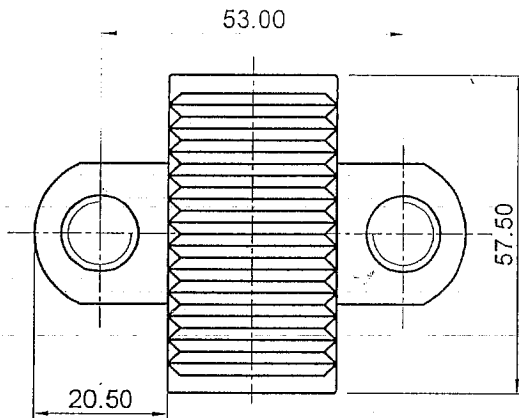
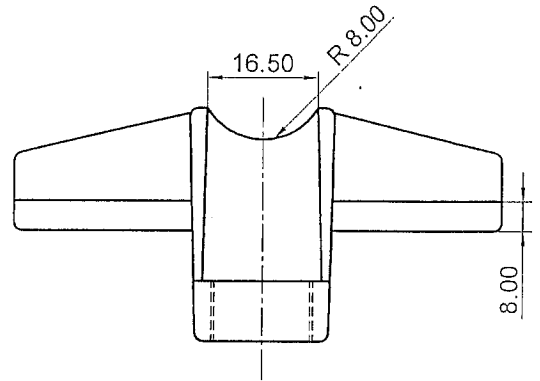
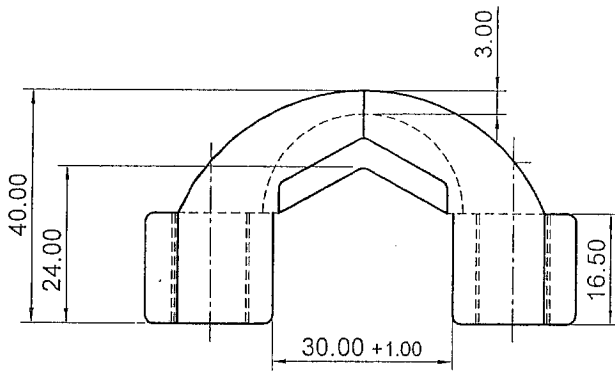
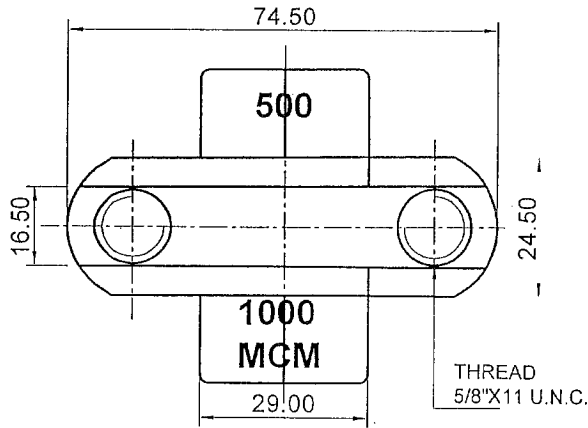

NSi Industries, LLC

	NAME	DATE
DRAWN	SD	09/05/2006
CHECKED	KM	09/05/2006
APPROVED	KM	09/05/2006
MATERIAL	- C-956	
TOLERANCE	- ± 0.50	

TITEL - Body TC - 1000

SCALE - N.T.S. FINISH - Natural All dimensions are in mm

Drawing No. - 2763/b



NSi Industries, LLC

TITEL - Base TC 1000

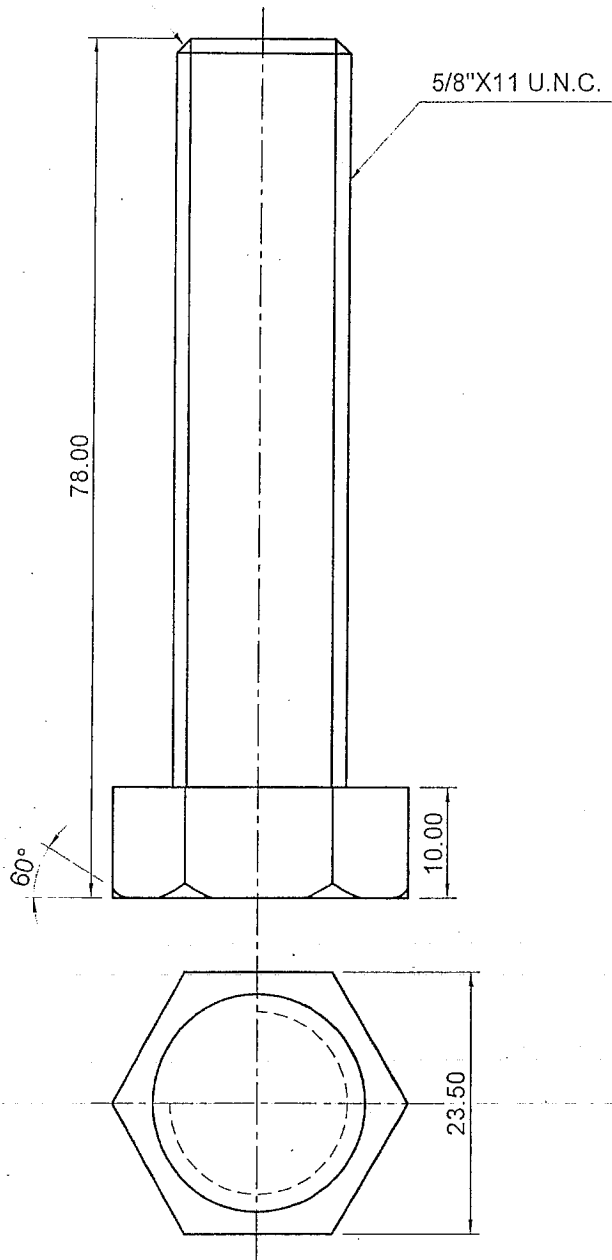
SCALE- N.T.S. FINISH - Natural

All dimensions are in mm

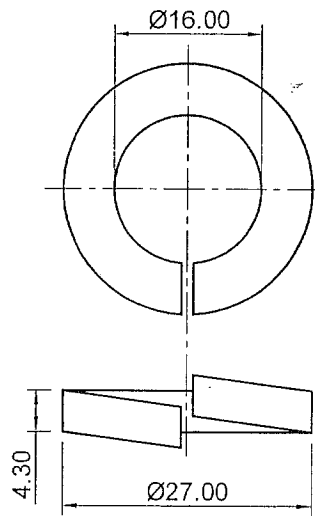
	NAME	DATE
DRAWN	SD	09/05/2006
CHECKED	KM	09/05/2006
APPROVED	KM	09/05/2006
MATERIAL	-C-956	
TOLERANCE	±0.50	
Drawing No.	- 2763/c	

BOLT "A"

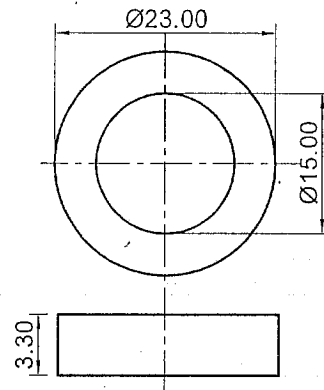
CH. 1.50X45°



"B"



RUBBER WASHER "C"



ITEM	MATERIAL
A	COPPER SILICON BRONZE
B	S.S.-304
C	NEOPRENE

	NAME	DATE
DRAWN	SD	09/05/2006
CHECKED	KM	09/05/2006
APPROVED	KM	09/05/2006
MATERIAL	- As Per Chart	
TOLERANCE	- ±0.25	



NSi Industries, LLC

TITEL - Accessories TC 1000

SCALE- N.T.S.

FINISH - Natural

All dimensions are in mm

Drawing No. - 2763/d