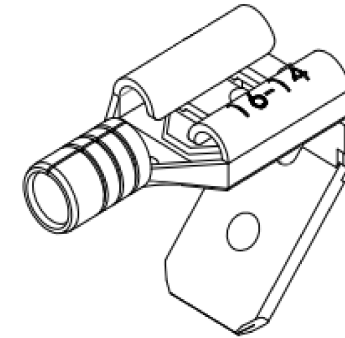


2

1

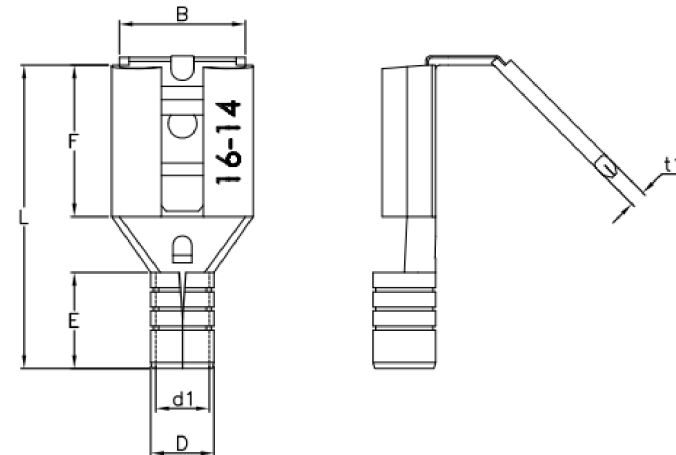
REV	DATE	REVISED	BY	ECN	C'K'D
A	3/14/23	NEW RELEASE	SU		SSM



MAXIMUM ELECTRIC CURRENT


AWG	16	14
MAX AMP	10	15

WIRE RANGE	NEMA TAB	B ±0.20	F ±0.30	L ±1.00	E ±0.60	D ±0.30	d1 ±0.20	t	t1 ±0.10
16-14 AWG	0.8x6.4	6.6	8.0	16.0	5.0	3.3	2.3	0.4	0.8



NOTES:

1. MATERIAL: BRASS
2. FINISH: TIN PLATED
3. MATERIAL THICKNESS = t
TOLERANCE: +/- 0.05

PROPRIETARY AND CONFIDENTIAL THE INFORMATION CONTAINED IN THIS DRAWING IS THE SOLE PROPERTY OF NSI Industries LLC. ANY REPRODUCTION IN PART OR AS A WHOLE WITHOUT THE WRITTEN PERMISSION OF NSI Industries LLC IS PROHIBITED. DIM. UNLESS OTHERWISE NOTED, ARE IN INCHES. DECIMAL .XX ± 0.15 DECIMAL .XXX ± 0.05 FRACTION 1/64 ± 1/64 ANGLES ± 1DEG DO NOT SCALE DRAWINGS	DRAWN	SU	3/23	
	CHECKED	SSM	3/23	
	ENG APPR.			
	MFG APPR.			
MATERIAL	SEE NOTES			TITLE: UNINSULATED PIGGY BACK DISCONNECTS SIZE A DWG. NO. MODEL NO. REV A P16-250-3
FINISH	SEE NOTES			
DIMENSIONS ARE IN MM				
COMMENTS: TO ORDER NSI PRODUCTS CALL UNITED STATES (704) 439-2420 FOR PRODUCT INFO: www.nsiindustries.com				SCALE: N/A SOLIDWORKS 2022 SHEET 1 OF 1

2

1