

REV	DATE	REVISED	BY	ECN	C'K'D
A		RELEASED			
B	10/13/23	UPDATED ITEM SPECIFICATION	DC	& 1\$\$\$2)	SSM

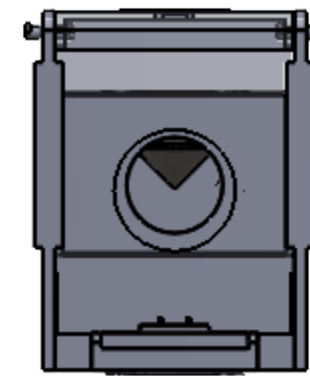
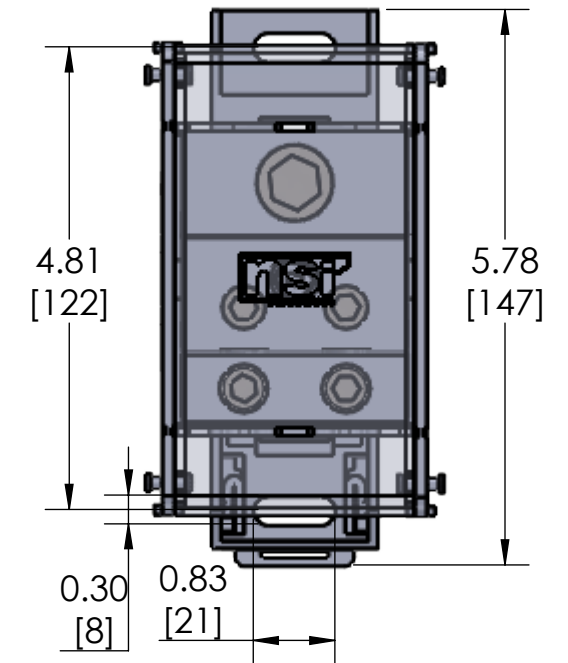
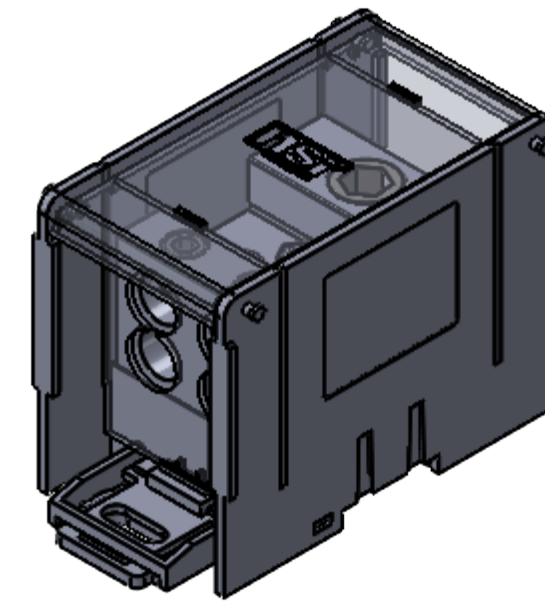
FUSE TABLE	
Overcurrent Protection, Fuse Required Class	Maximum Amp Rating
Class J	110A
Class T	110A
Class RK1	60A
Class RK5	30A
Class G	60A
Class CC	30A

FEATURES:

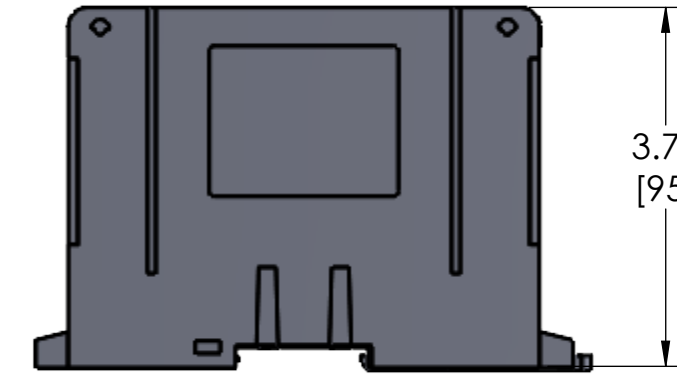
1. AVAILABLE IN FINGER SAFE STYLE MODEL ONLY THAT INCLUDE END PLATES AND HINGED COVER
2. FINGER SAFE TO IP20. PER. IEC60529
3. cULus LISTED TO UL 1953 AND 1059
4. AL9CU RATED FOR USE T=WITH COPPER OR ALUMINUM CONDUCTOR CLASS B & C, AND OPERATING TEMP OF 90C
5. VOLTAGE RATING 600 V
6. DEFAULT SCCR (SHORT CIRCUIT CURRENT RATING) WITH CORRECT FUSING = 100KA
7. QUICK RELEASE LOCKING MECHANISM TO DISCONNECT FROM STD.35MM DIN RAIL
8. OVAL ALIGN MOUNTING HOLE AT BASE ON EITHER WIRE ENTRY END
9. MATERIAL: COVER AND END PLATES = LEXAN 500R POLYCARBONATE
10. MATERIAL: BASE AND SIDE PANELS = VAALOX NYLON 6/6 GF30%
11. MATERIAL: CONNECTOR BLOCK 6061T6 ALUMINUM TIN PLATED
12. MATERIAL: WIRE PORT SCREWS, STEEL TIN PLATED
13. MATERIAL: CONNECTOR TO BLOCK SECURITY SCREW, STEEL TIN PLATED
14. MULTI-PORT GANGING OF SAME SIZE BLOCK (SML, MED, LRG)
15. MAXIMUM AMPACITY PER POLE = 380A
16. PRIMARY (LINE, RUN, MAIN) SIDE = 500 MCM
17. PRIMARY MAXIMUM TORQUE VALUE = 442 IN.LBF
18. PRIMARY STRIP LENGTH = 1.000"
19. MAXIMUM AMPACITY PER POLE = 380A
20. SECONDARY (LINE, RUN, MAIN) SIDE = 4/0 AWG
21. SECONDARY MAXIMUM TORQUE VALUE = 224 IN.LBF
22. SECONDARY STRIP LENGTH = 1.000"

NOTES:

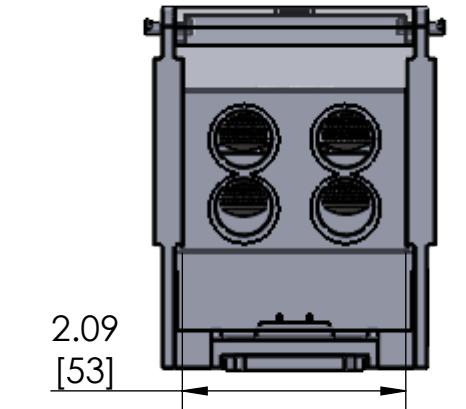
1. DIMENSIONS IN BRACKETS [] ARE IN MM ROUNDED OFF TO THE NEAREST MM, UNLESS OTHERWISE SPECIFIED AND ARE FOR REFERENCE ONLY
2. MATERIALS: BASE, POLE SEPERATING SIDE AND LOCK - NYLON 66 GF30%
BLOCK AND RETENTION SCREWS - TIN PLATED ALUMINUM
FINGER SAFE COVERS - POLYCARBONATE
BLOCK MOUNTING HARDWARE - STAINLESS STEEL
3. MAY BE USED IN ANY NUMBER OF POLES REQUIRED.



RUN SIDE



DIN RAIL STYLE



TAP SIDE

2: TORQUE VALUES

WIRE RANGE (MCM/AWG)	CONNECTOR SIZE									
	750	600	500	350	250	3/0	2/0	1/0	#2	#4
750 - 600	550	550								
500	550	450	450							
400	550	450	450							
350	550	400	400	400						
250	550	360	360	360	360					
4/0 - 3/0	550	250	250	250	250	250				
2/0	550	180	180	180	180	180	120			
1/0	550	180	180	180	180	180	80	80		
#1		150	150	150	150	150	65	65		
#2 - #3		150	150	150	150	150	65	65	65	
#4 - #6		150	110	110	110	110	55	55	35	35
#8				75			45	45	25	25
#10 - #14				35			25	25	15	15

NPDB -	14 -	750 -	1
NSI PRODUCT GROUP POWER DISTRIBUTION BLOCKS	1ST DIGIT = # OF PRIMARY COND. 2ND DIGIT = # OF SECONDARY COND.	MAXIMUM WIRE SIZE	NUMBER OF POLES

PROPRIETARY AND CONFIDENTIAL		NAME	DATE
THE INFORMATION CONTAINED IN THIS DRAWING IS THE SOLE PROPERTY OF NSI Industries. ANY REPRODUCTION IN PART OR AS A WHOLE WITHOUT THE WRITTEN PERMISSION OF NSI Industries IS PROHIBITED.		DRAWN	DC 10/13/23
DIN, UNLESS OTHERWISE NOTED, ARE IN INCHES. DECIMAL FRACTION 1/64 ANGLES DO NOT SCALE DRAWINGS 1"		CHECKED	SSM 10/13/23
MATERIAL		ENG APPR.	
FINISH		MFG APPR.	
SEE NOTES		Q.A.	
SEE NOTES		COMMENTS: TO ORDER NSI PRODUCTS CALL UNITED STATES (704) 439-2420 FOR PRODUCT INFO: www.nsiindustries.com	
TITLE: DC K 9F 8 GF 1 6I HC B 6C 7?G			
SIZE	DWG. NO.	MODEL NO.	REV
C		NPDB-14-750-1	B
SCALE:1:1 SOLIDWORKS 2022 SHEET 1 OF 1			