

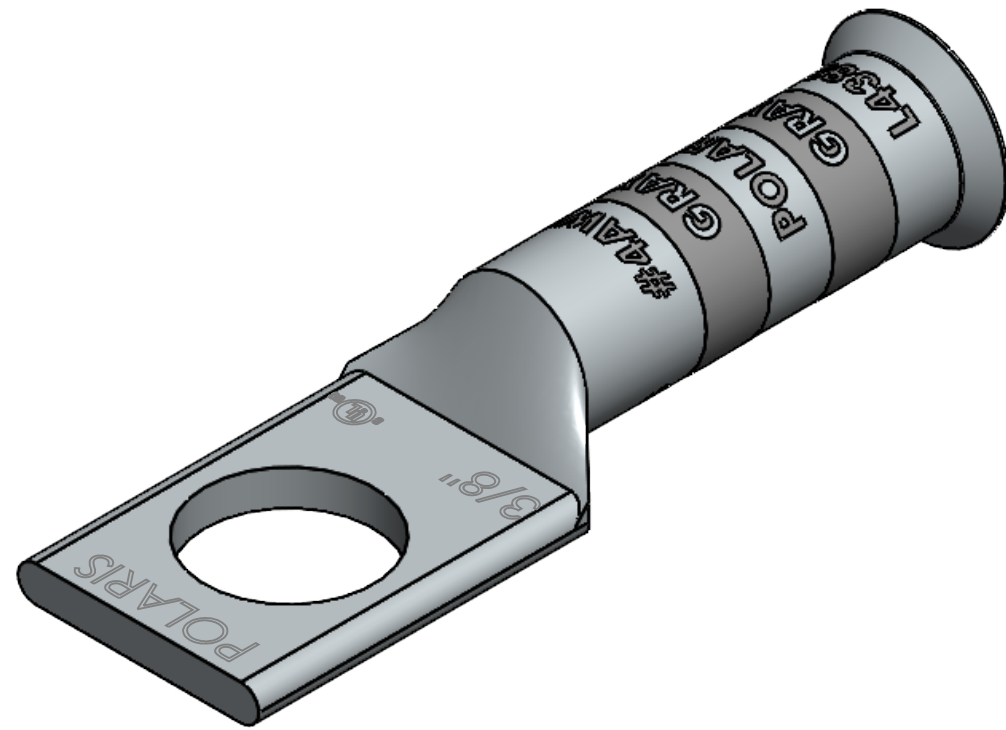
**FEATURES:**

1. Material: Tin Plated CU
2. UL listed for U.S. & Canada.
3. Wire connector rated for 35Kv max.
4. Class B/C compressed, concentric, and compact copper conductor only.
5. Expanded wire range when installed with dieless NSi compression tool (N12ID).
6. Dimensions are for referene only.

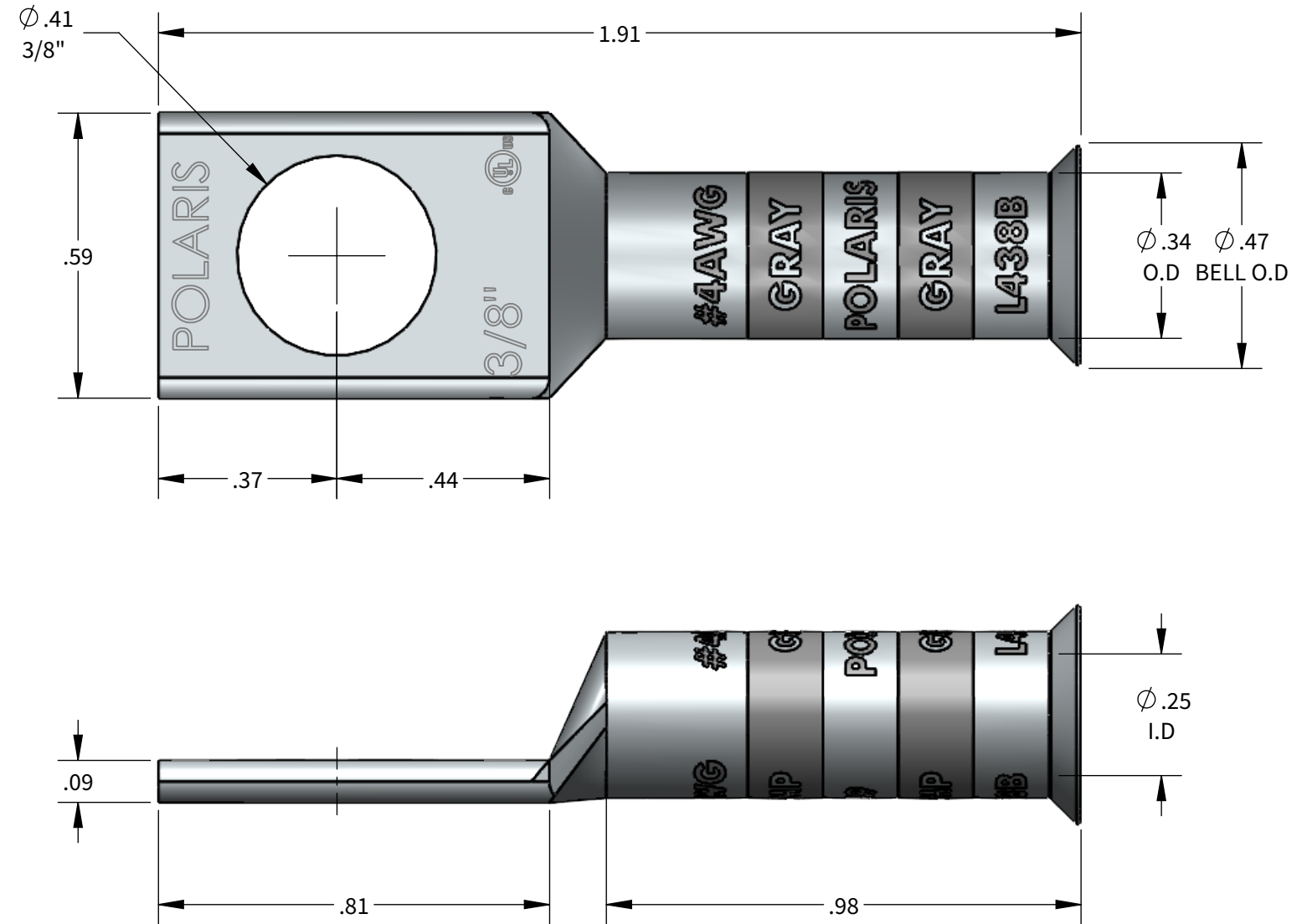
# L-B Series: L438B



|            |            |
|------------|------------|
| PROGRAM:   | SOLIDWORKS |
| UPDATED:   | 4/2022     |
| SALES REV: | A          |
| SIZE:      | B (11x17)  |



SCALE 3:1



COPPER COMPRESSION CONNECTOR TOOL AND DIE CHART (# OF CRIMPS)

| WIRE SIZE | STRIP LENGTH | DIE COLOR | EXPANDED WIRE RANGE W/N12ID | NSI          |         | GREENLEE   | ILSCO       | BURNDY               | T&B                 | HUSKIE          |              |            |         |
|-----------|--------------|-----------|-----------------------------|--------------|---------|------------|-------------|----------------------|---------------------|-----------------|--------------|------------|---------|
|           |              |           |                             | N1240 SERIES | NSI-12  | NSI-12     | 1240 SERIES | ILC-12/ILC-15 SERIES | Y-35, Y750, PAT 750 | TBM-15, TBM-14M | EP510C       |            |         |
| #4AWG     | 1-3/16"      | GRAY      | #4AWG-#6AWG                 | KC12-4 (2)   | CD3 (4) | HT41AU (4) | KC12-4 (2)  | ILD-3 (4)            | KC12-4(2)           | U4CRT (2)       | 15527-CK (4) | HT41AU (4) | CD3 (4) |

