

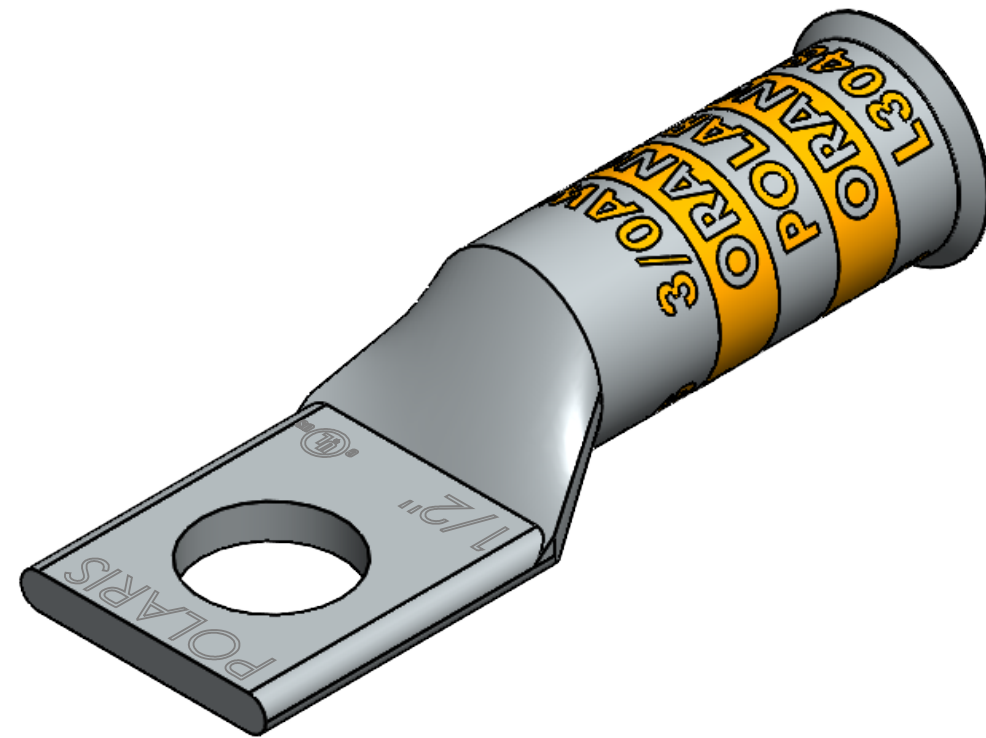
FEATURES:

1. Material: Tin Plated CU
2. UL listed for U.S. & Canada.
3. Wire connector rated for 35Kv max.
4. Class B/C compressed, concentric, and compact copper conductor only.
5. Expanded wire range when installed with dieless NSi compression tool (N12ID).
6. Dimensions are for referene only.

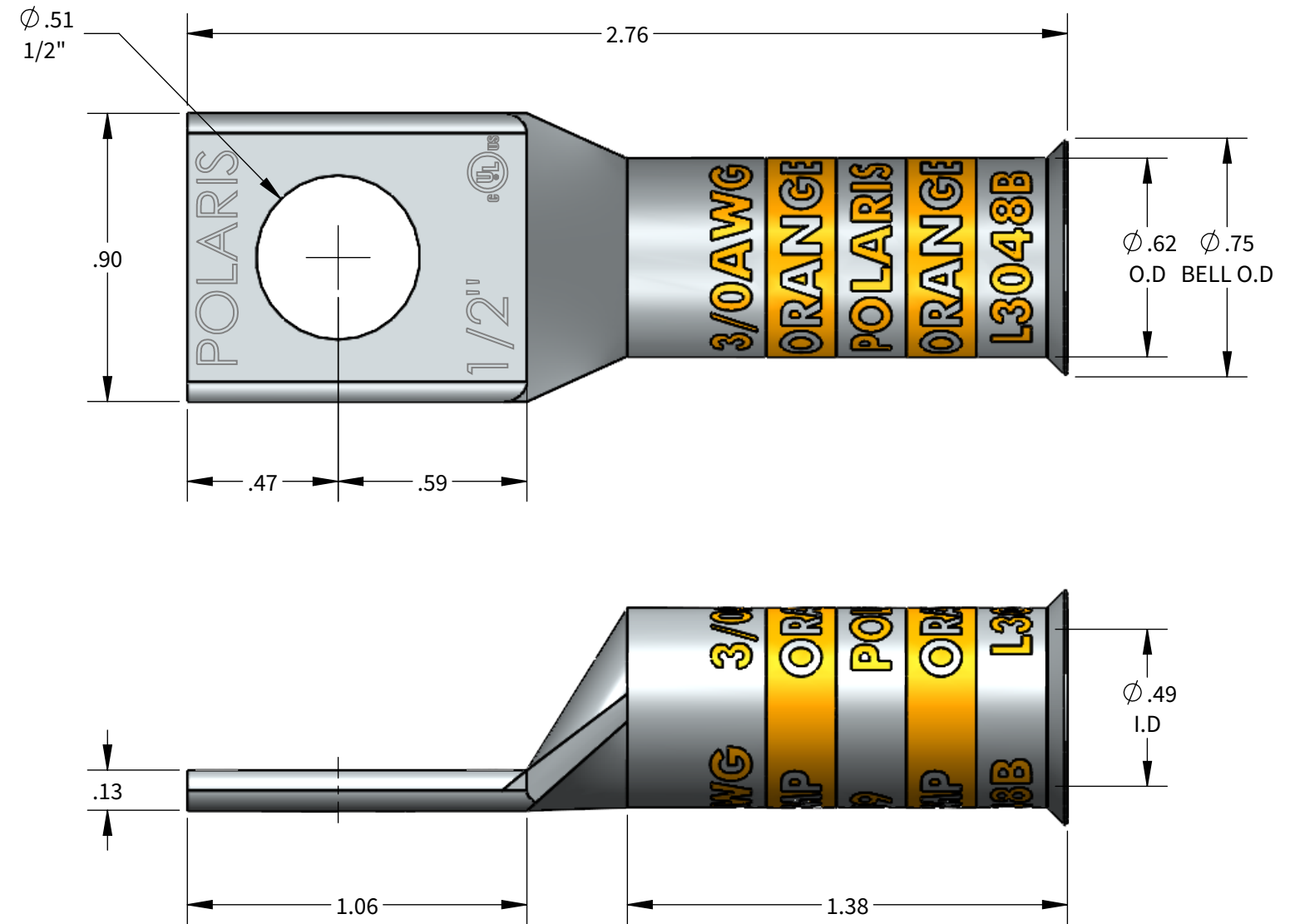
L-B Series: L3048B



| | |
|------------|------------|
| PROGRAM: | SOLIDWORKS |
| UPDATED: | 4/2022 |
| SALES REV: | A |
| SIZE: | B (11x17) |



SCALE 2:1



COPPER COMPRESSION CONNECTOR TOOL AND DIE CHART (# OF CRIMPS)

| WIRE SIZE | STRIP LENGTH | DIE COLOR | EXPANDED WIRE RANGE W/N12ID | NSI | | GREENLEE | ILSCO | BURNDY | T&B | HUSKIE | | | |
|-----------|--------------|-----------|-----------------------------|--------------|----------|-------------|----------------------|---------------------|-----------------|-----------|-----------|------------|----------|
| | | | | N1240 SERIES | NSI-12 | 1240 SERIES | ILC-12/ILC-15 SERIES | Y-35, Y750, PAT 750 | TBM-15, TBM-14M | EP510C | | | |
| 3/0AWG | 1-7/16" | ORANGE | 3/0AWG-#2AWG | KC12-3/0 (2) | CD10 (4) | HT41BA (4) | KC12-3/0 (2) | ILD-9 (4) | KC12-3/0 (2) | U27RT (2) | 15530 (4) | HT41BA (4) | CD10 (4) |

