

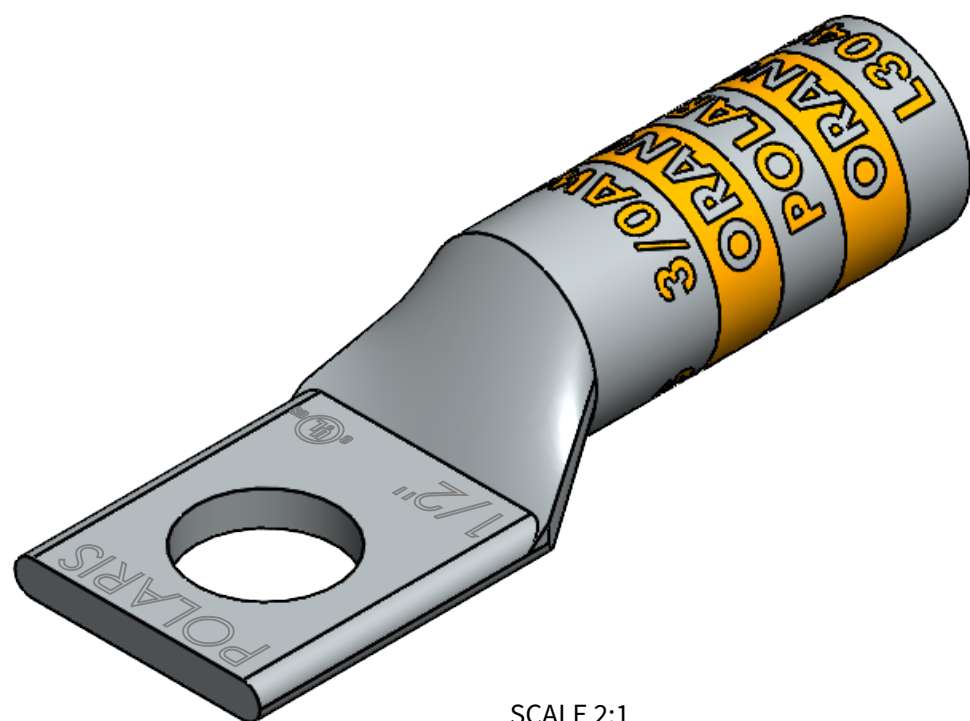
**FEATURES:**

1. Material: Tin Plated CU
2. UL listed for U.S. & Canada.
3. Wire connector rated for 35Kv max.
4. Class B/C compressed, concentric, and compact copper conductor only.
5. Expanded wire range when installed with dieless NSi compression tool (N12ID).
6. Dimensions are for referene only.

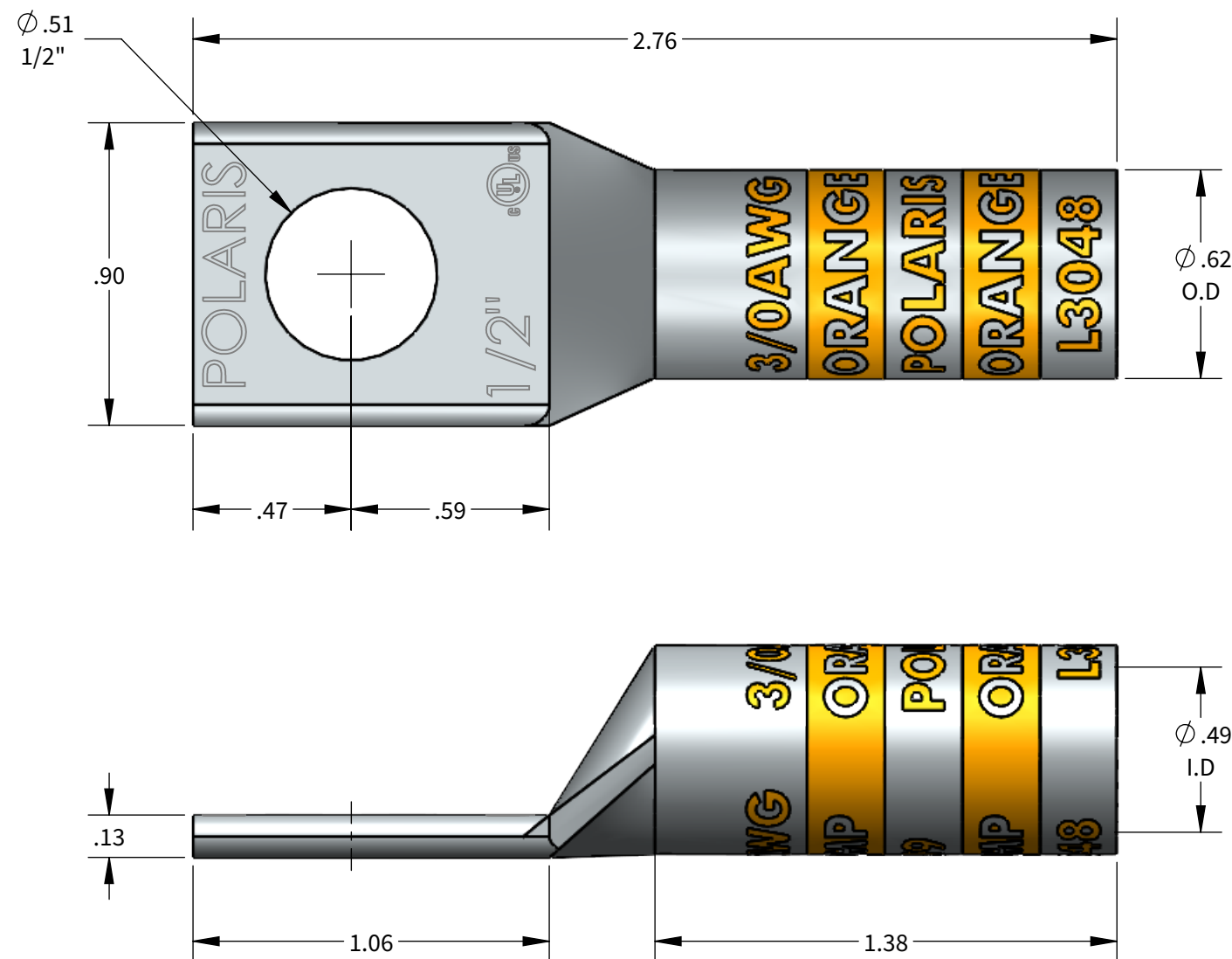
# L Series: L3048



|            |            |
|------------|------------|
| PROGRAM:   | SOLIDWORKS |
| UPDATED:   | 4/2022     |
| SALES REV: | A          |
| SIZE:      | B (11x17)  |



SCALE 2:1



COPPER COMPRESSION CONNECTOR TOOL AND DIE CHART (# OF CRIMPS)

| WIRE SIZE | STRIP LENGTH | DIE COLOR | EXPANDED WIRE RANGE W/N12ID | NSI          |          | GREENLEE   | ILSCO        | BURNDY               | T&B                 | HUSKIE          |           |            |          |
|-----------|--------------|-----------|-----------------------------|--------------|----------|------------|--------------|----------------------|---------------------|-----------------|-----------|------------|----------|
|           |              |           |                             | N1240 SERIES | NSI-12   | NSI-12     | 1240 SERIES  | ILC-12/ILC-15 SERIES | Y-35, Y750, PAT 750 | TBM-15, TBM-14M | EP510C    |            |          |
| 3/0AWG    | 1-7/16"      | ORANGE    | 3/0AWG-#2AWG                | KC12-3/0 (2) | CD10 (4) | HT41BA (4) | KC12-3/0 (2) | ILD-9 (4)            | KC12-3/0 (2)        | U27RT (2)       | 15530 (4) | HT41BA (4) | CD10 (4) |

