

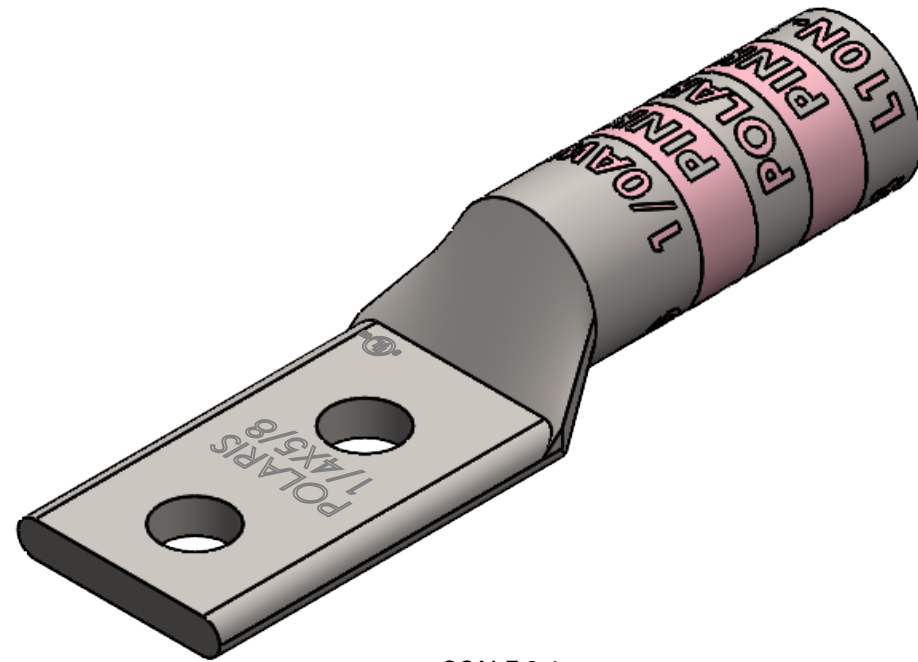
FEATURES:

1. Material: Tin Plated CU
2. UL listed for U.S. & Canada.
3. Wire connector rated for 35Kv max.
4. Class B/C compressed, concentric, and compact copper conductor only.
5. Expanded wire range when installed with dieless NSi compression tool (N12ID).
6. Dimensions are for reference only.

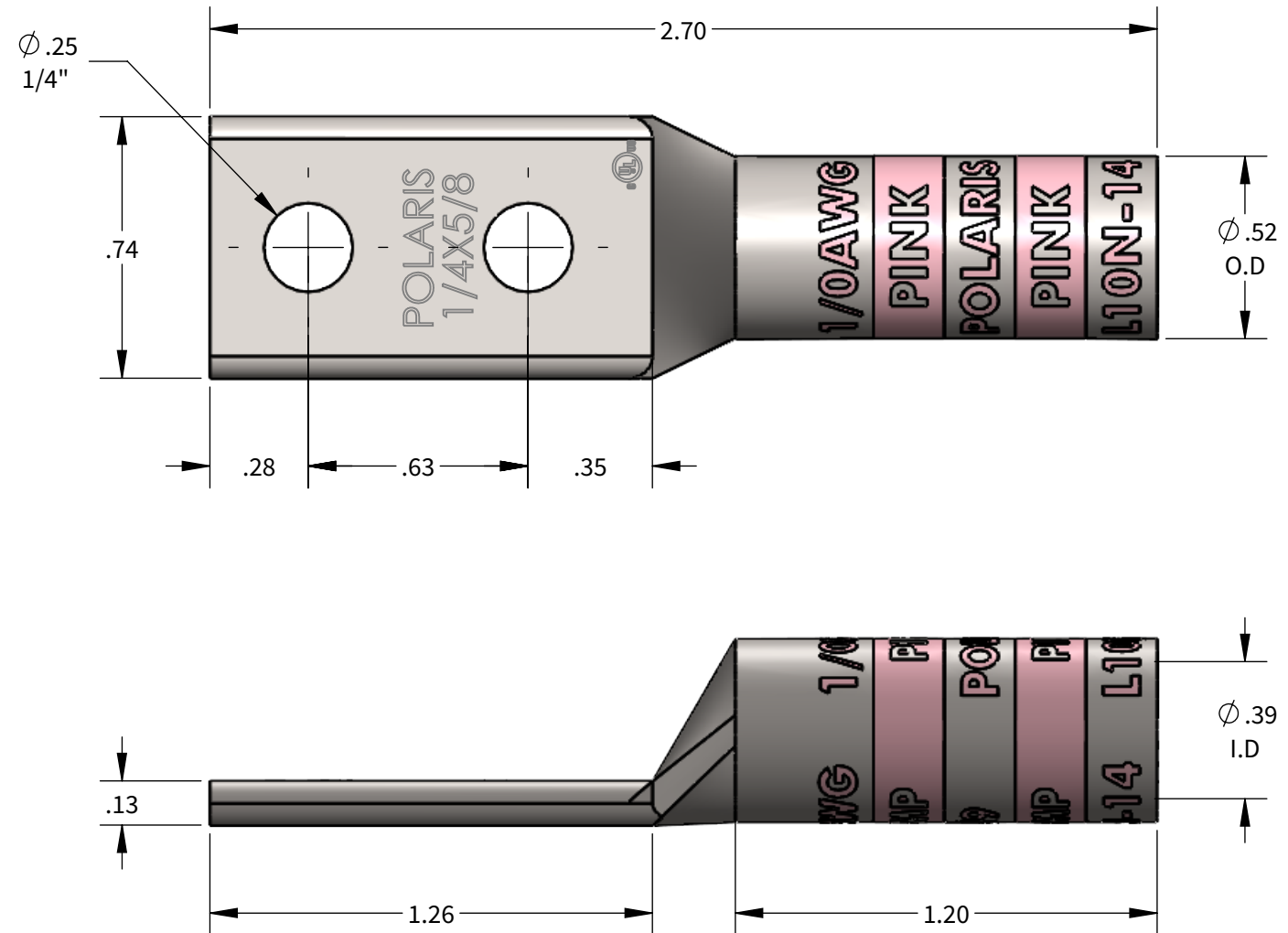
LN Series: L10N-14



| | |
|-------------------|------------|
| PROGRAM: | SOLIDWORKS |
| UPDATED: | 4/2022 |
| SALES REV: | A |
| SIZE: | B (11x17) |



SCALE 2:1



COPPER COMPRESSION CONNECTOR TOOL AND DIE CHART (# OF CRIMPS)

| | | | COPPER COMPRESSION CONNECTOR TOOL AND DIE CHART (# OF CRIMPS) | | | | | | | | | | |
|-----------|--------------|-----------|---|--------------|---------|------------|--------------|----------------------|--------------|---------------------|-----------------|------------|---------|
| | | | NSI | | | GREENLEE | ILSCO | | BURNDY | T&B | HUSKIE | | |
| WIRE SIZE | STRIP LENGTH | DIE COLOR | EXPANDED WIRE RANGE W/N12ID | N1240 SERIES | NSI-12 | NSI-12 | 1240 SERIES | ILC-12/ILC-15 SERIES | | Y-35, Y750, PAT 750 | TBM-15, TBM-14M | EP510C | |
| 1/0AWG | 1-1/4" | PINK | 1/0AWG-#6AWG | KC12-1/0 (2) | CD6 (4) | HT41AY (4) | KC12-1/0 (2) | ILD-5 (4) | KC12-1/0 (2) | U25RT (2) | 15508 (4) | HT41AY (4) | CD6 (4) |

