
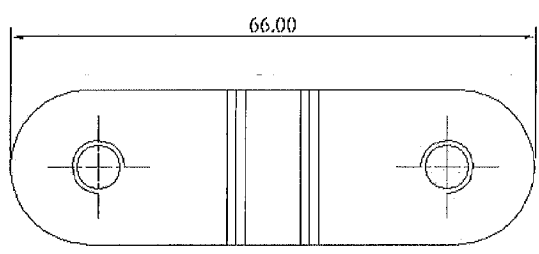
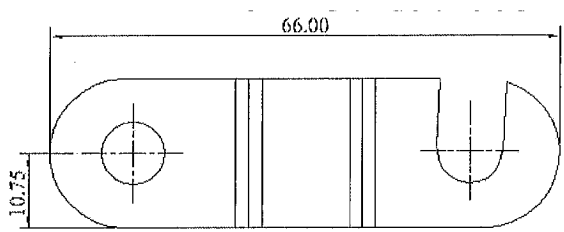
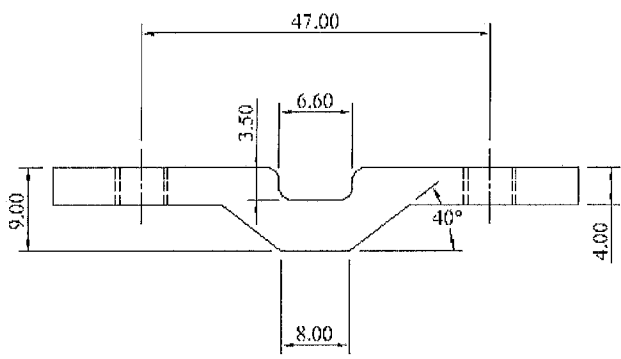
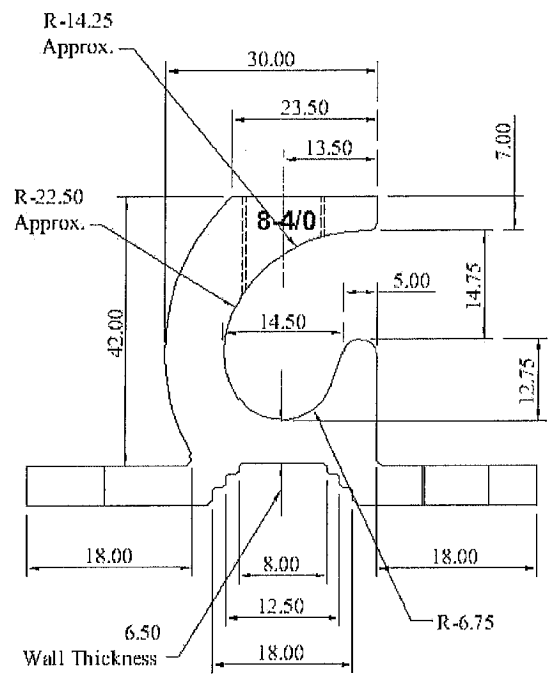
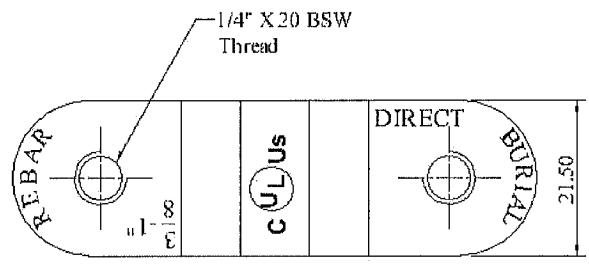
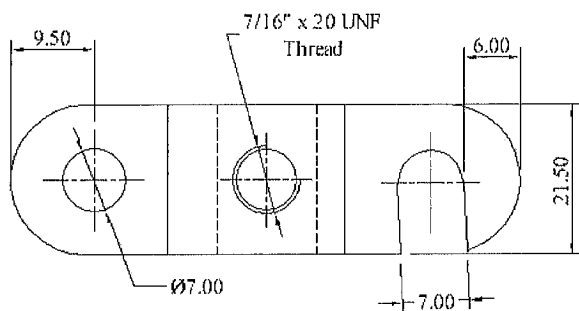


Wire Size	8 - 4/0
Pipe	$\frac{3}{8}$ - 1"

	NAME	DATE					
DRAWN	SD	26/2/2003					
CHECKED	KM	26/2/2003					
APPROVED	KM	26/2/2003	A	As Per Marking Add	10/06/10	Parmar	V.G. Patel
MATERIAL - -----			Rev. No.	Details of Revision	Date	Drawn	Approved
TREATMENT - -----							
TOLERANCE - -----			TITLE - Ground Clamp for REBAR (Part Number GLC-140DB)				
SCALE - N.T.S.							
All dimensions are in mm.			Drawing No.- 1328/a		Weight :-		Size :- A4



	NAME	DATE					
DRAWN	SD	26/02/2003					
CHECKED	KM	26/02/2003					
APPROVED	KM	26/02/2003	B	As Per Dimension Revised	10/06/10	Parmar	V.G. Patel
MATERIAL - Copper Alloy with copper above 80 %			Rev. No.	Details of Revision	Date	Drawn	Approved
TREATMENT - Shot Blasting			nsi INDUSTRIES				
TOLERANCE - ±1.00			TITLE - Ground Clamp For REBAR (Part Number GLC-140DB)				
SCALE - N.T.S.							
All dimensions are in mm.			Drawing No. - 1328/b		Weight :-		Size :- A4