

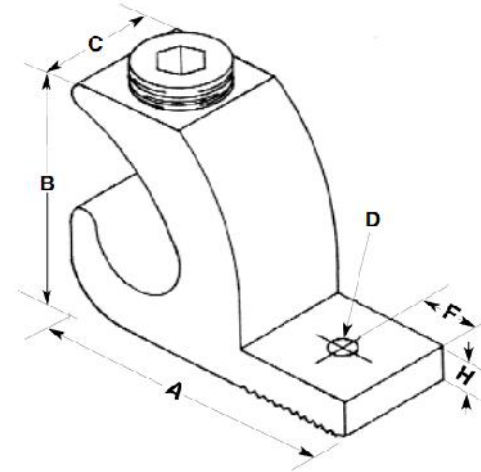
Lay-In Connectors

Drawn - SD

Approved - KM

Material - Aluminum

Title - Lay-In Connectors



| Part Number | Wire Range | Material | A | B | C | D | F | H |
|-------------|------------|----------|------|------|------|-------|------|------|
| GLA-4 | 4-14 AWG | Aluminum | 1.07 | 0.75 | 0.38 | 0.218 | 0.19 | 0.15 |
| GLA-0 | 1/0-8 AWG | Aluminum | 1.50 | 1.10 | 0.60 | 0.272 | 0.30 | 0.22 |
| GLA-000 | 3/0-6 AWG | Aluminum | 2.00 | 1.50 | 0.80 | 0.330 | 0.40 | 0.30 |
| GLA-250 | 250 MCM-6 | Aluminum | 2.20 | 1.70 | 0.80 | 0.330 | 0.40 | 0.30 |