

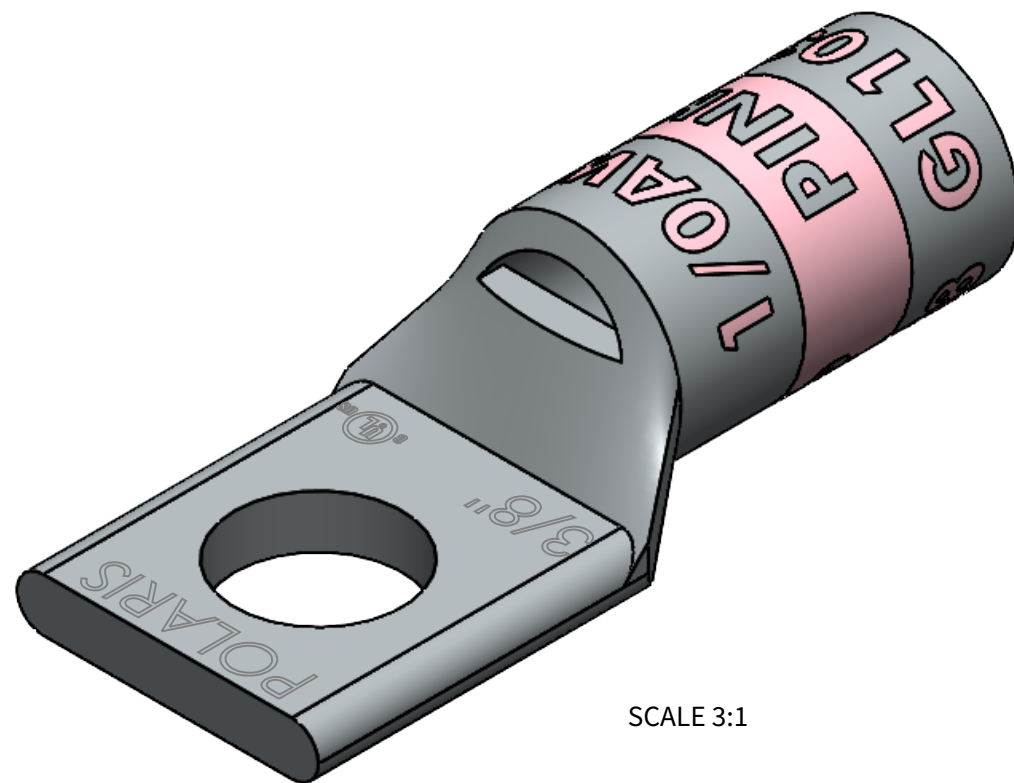
**FEATURES:**

1. Material: Tin Plated CU
2. UL listed for U.S. & Canada.
3. Wire connector rated for 35Kv max.
4. Class B/C compressed, concentric, and compact copper conductor only.
5. Expanded wire range when installed with dieless NSi compression tool (N12ID).
6. Dimensions are for reference only, tolerance is +/- .06".

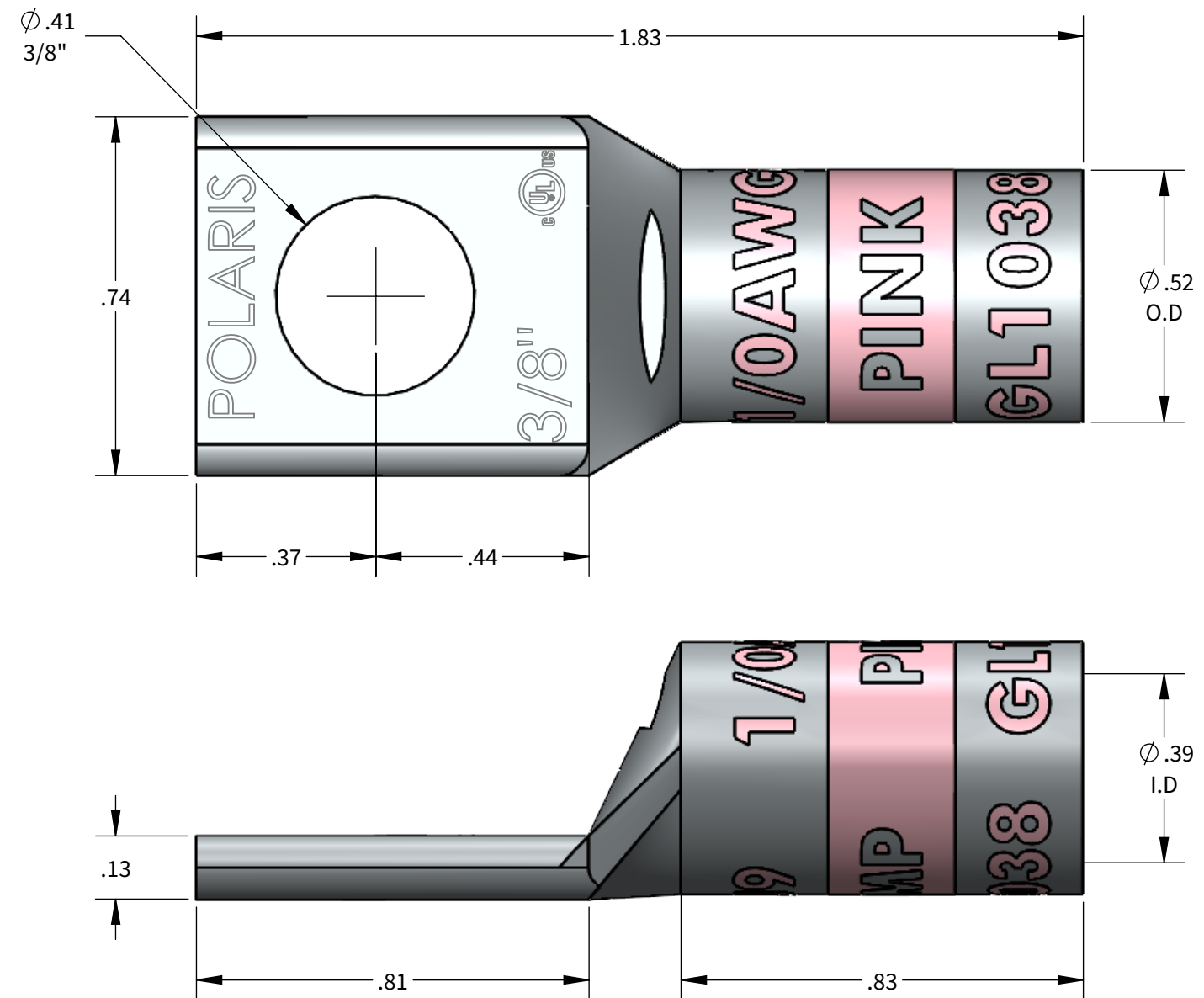
# GL Series: GL1038



<b>PROGRAM:</b>	SOLIDWORKS
<b>UPDATED:</b>	4/2022
<b>SALES REV:</b>	A
<b>SIZE:</b>	B (11x17)



SCALE 3:1



COPPER COMPRESSION CONNECTOR TOOL AND DIE CHART (# OF CRIMPS)

		COPPER COMPRESSION CONNECTOR TOOL AND DIE CHART (# OF CRIMPS)										
		NSI			GREENLEE		ILSCO	BURNDY	T&B	HUSKIE		
WIRE SIZE	STRIP LENGTH	DIE COLOR	EXPANDED WIRE RANGE W/N12ID	N1240 SERIES	NSI-12	NSI-12	1240 SERIES	ILC-12/ILC-15 SERIES	Y-35, Y750, PAT 750	TBM-15, TBM-14M	EP510C	
1/0AWG	15/16"	PINK	1/0AWG-#6AWG	KC12-1/0 (1)	CD6 (2)	HT41AY (2)	KC12-1/0 (1)    ILD-5 (2)	KC12-1/0 (1)	U25RT (1)	15508 (2)	HT41AY (2)	CD6 (2)

