

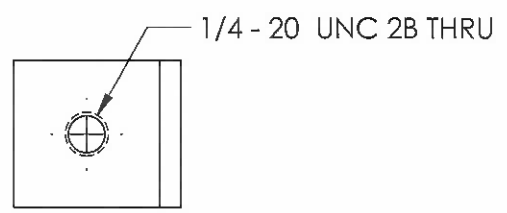
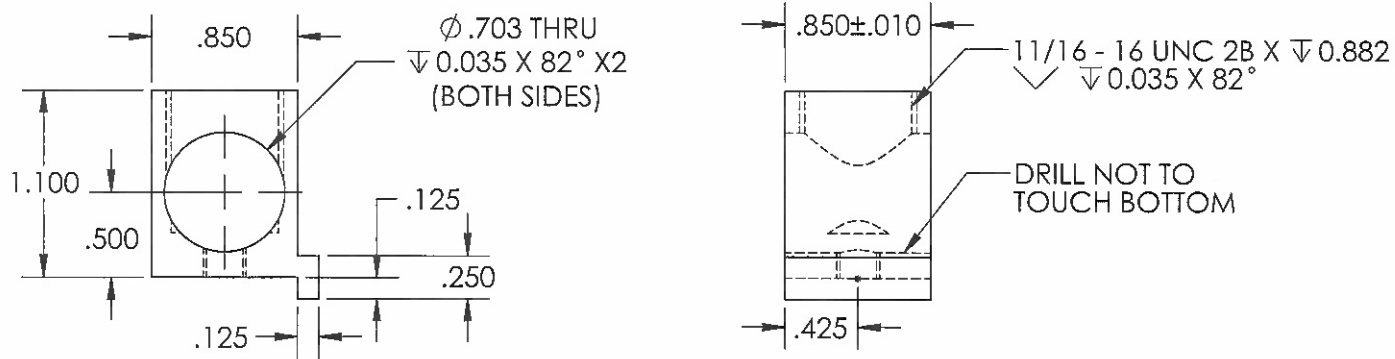
2

1

REV	DATE	REVISION	BY	ECN	C'K'D
A	11/3/22	NEW RELEASE	CC		SSM

B

B



A

A

PROPRIETARY AND CONFIDENTIAL		NAME	DATE
<p>THE INFORMATION CONTAINED IN THIS DRAWING IS THE SOLE PROPERTY OF NSI Industries LLC. ANY REPRODUCTION IN PART OR AS A WHOLE WITHOUT THE WRITTEN PERMISSION OF NSI Industries LLC IS PROHIBITED.</p> <p>DIM. UNLESS OTHERWISE NOTED ARE IN INCHES. DECIMAL .XX ± .015 DECIMAL .XXX ± .005 FRACTION ± 1/64 ANGLES ± 1 DEG DO NOT SCALE DRAWINGS</p>		CC	11/3/22
		CHECKED	
		ENG APPR.	
		MFG APPR.	
		Q.A.	
<p>MATERIAL 6061-T6 ALUMINUM</p> <p>FINISH TIN PLATED</p> <p>DIMENSIONS ARE IN INCHES</p>		<p>COMMENTS: TO ORDER NSI PRODUCTS CALL UNITED STATES (704) 439-2420 FOR PRODUCT INFO: www.nsiindustries.com</p>	



TITLE: MAIN LUG			
SIZE A	DWG. NO. BTP350-S	MODEL NO.	REV A
SCALE: 1:1		SOLIDWORKS 2022	SHEET 1 OF 1

- NOTES:
- MARKING: 350 MCM-6
 - ALL DIMENSIONS IN INCHES

2

1