

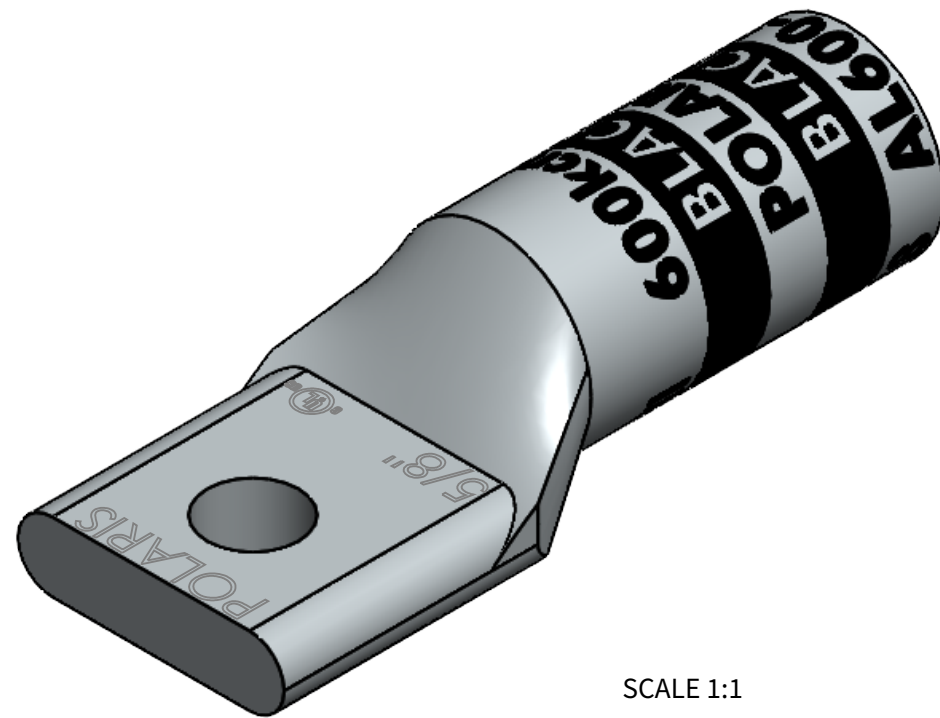
FEATURES:

1. Material: Tin Plated Aluminum
2. UL listed for U.S. & Canada.
3. Wire connector rated for 35Kv max.
4. Class B/C compressed, concentric, and compact conductor.
5. Dual rated AL9CU.
6. Expanded wire range when installed with dieless NSi compression tool (N12ID).
7. Dimensions are for reference only, tolerance is +/- .06".V

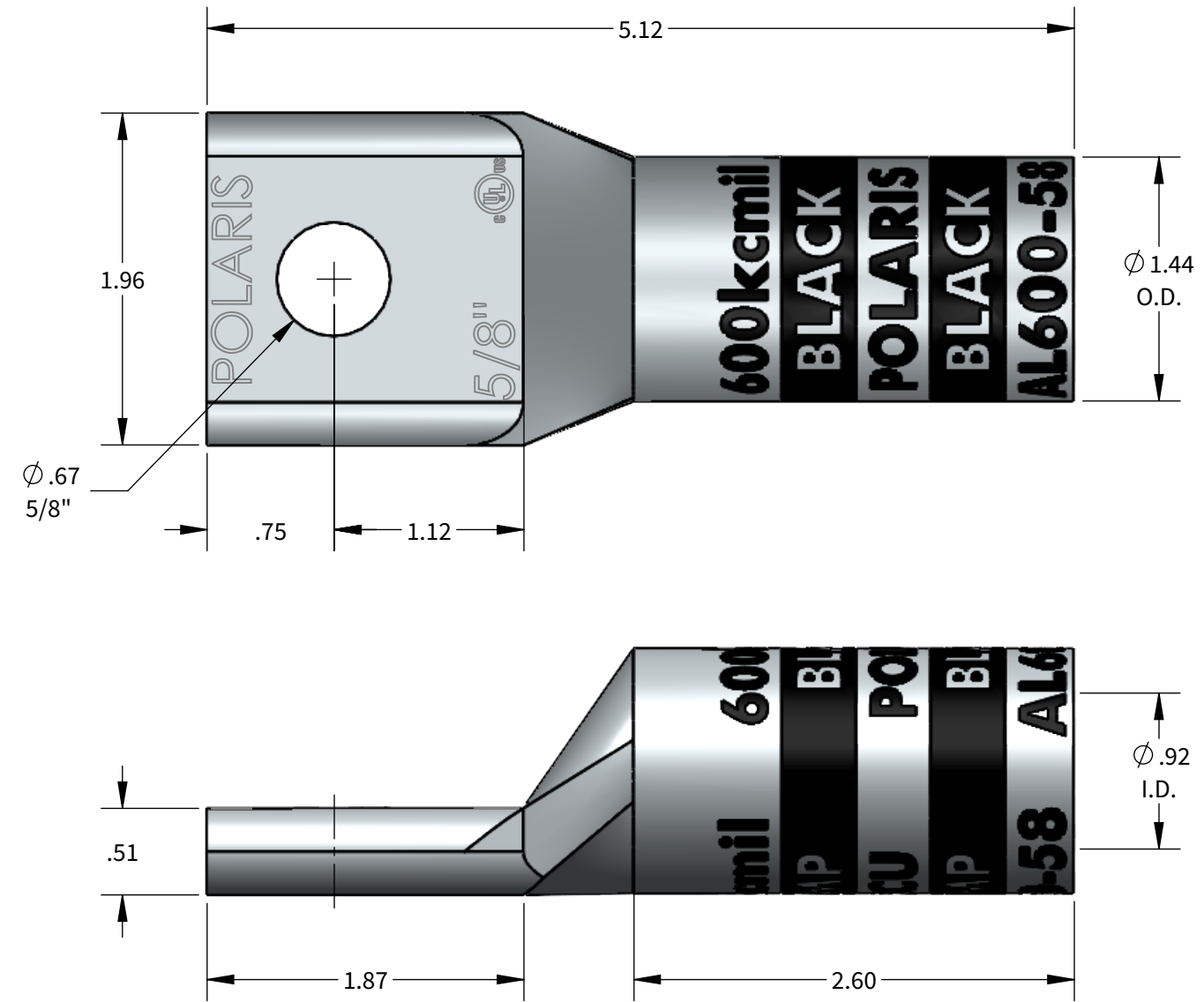
AL Series: AL600-58



| | |
|------------|------------|
| PROGRAM: | SOLIDWORKS |
| UPDATED: | 4/2022 |
| SALES REV: | A |
| SIZE: | B (11x17) |



SCALE 1:1



ALUMINUM COMPRESSION CONNECTOR TOOL AND DIE CHART (# OF CRIMPS)

| WIRE SIZE | STRIP LENGTH | DIE COLOR | ALUMINUM COMPRESSION CONNECTOR TOOL AND DIE CHART (# OF CRIMPS) | | | |
|-----------|--------------|-----------|---|--------------|--------------|---------------------|
| | | | NSI | GREENLEE | BURNDY | |
| | | | EXPANDED WIRE RANGE W/ N12ID | N1240 SERIES | 1240 SERIES | Y-35, Y750, PAT 750 |
| 600kcmil | 2-11/16" | BLACK | 600kcmil-250kcmil | KA12-600 (2) | KA12-600 (2) | U36ART (2) |

