

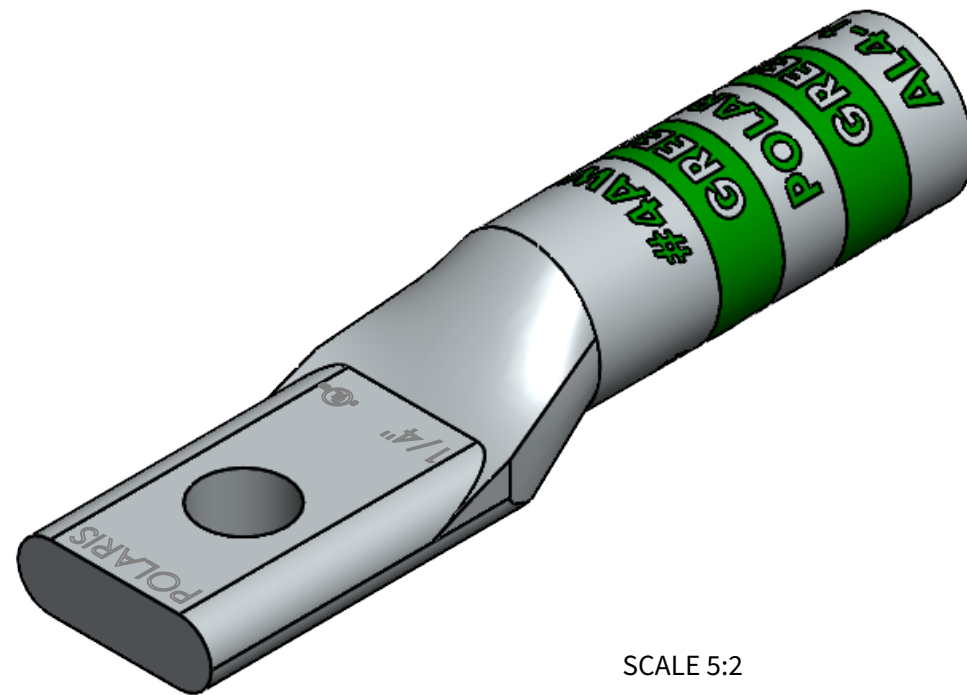
**FEATURES:**

1. Material: Tin Plated Aluminum
2. UL listed for U.S. & Canada.
3. Wire connector rated for 35Kv max.
4. Class B/C compressed, concentric, and compact conductor.
5. Dual rated AL9CU.
6. Expanded wire range when installed with dieless NSi compression tool (N12ID).
7. Dimensions are for reference only, tolerance is +/- .06".V

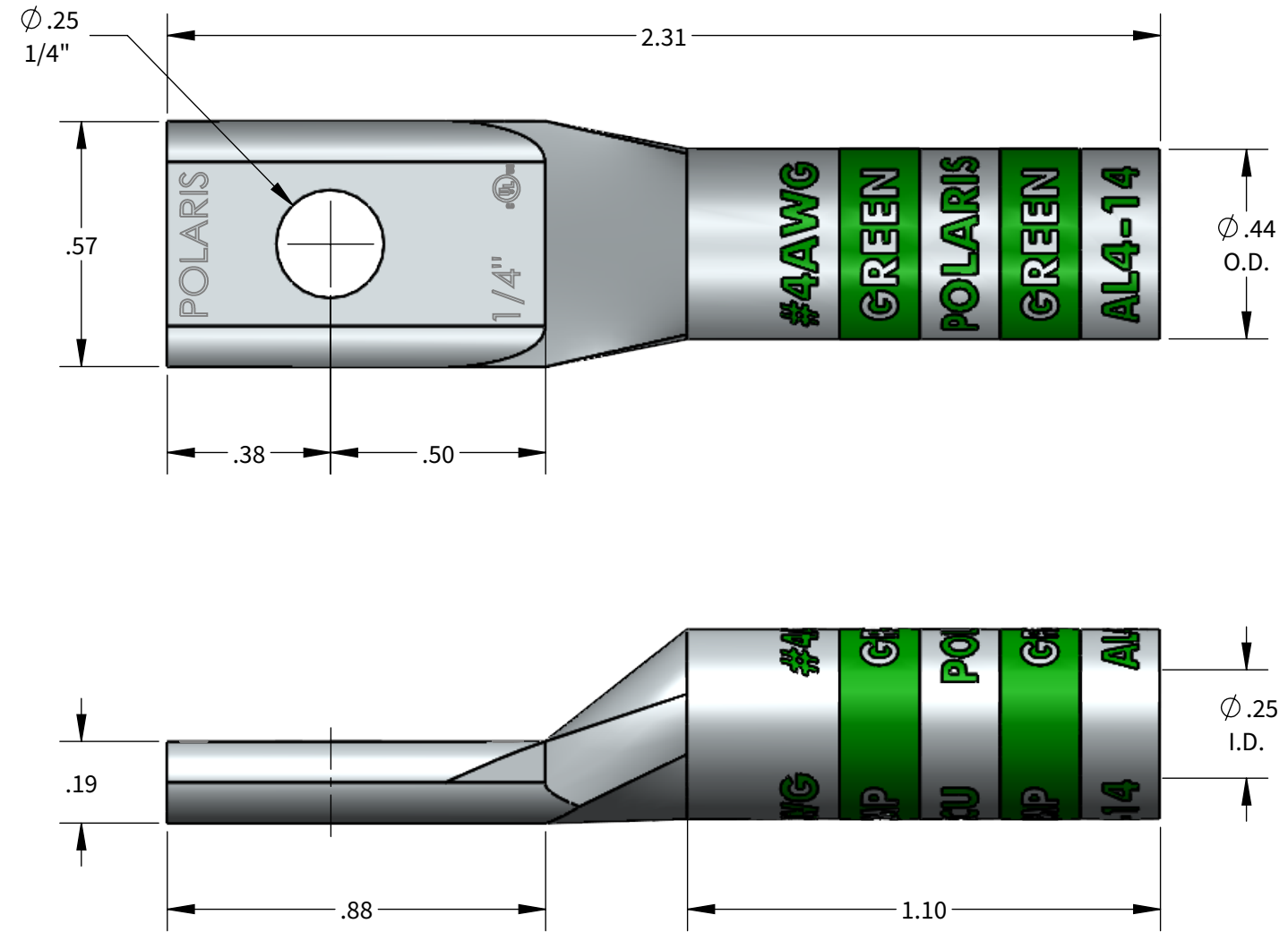
# AL Series: AL4-14



PROGRAM:	SOLIDWORKS
UPDATED:	4/2022
SALES REV:	A
SIZE:	B (11x17)



SCALE 5:2



ALUMINUM COMPRESSION CONNECTOR TOOL AND DIE CHART (# OF CRIMPS)

WIRE SIZE	STRIP LENGTH	DIE COLOR	ALUMINUM COMPRESSION CONNECTOR TOOL AND DIE CHART (# OF CRIMPS)			
			NSI	GREENLEE	BURNDY	
			EXPANDED WIRE RANGE W/ N12ID	N1240 SERIES	1240 SERIES	Y-35, Y750, PAT 750
#4AWG	1-3/16"	GREEN	#4AWG-#6AWG	KA12-4 (2)	KA12-4 (2)	U4CABT (2)

