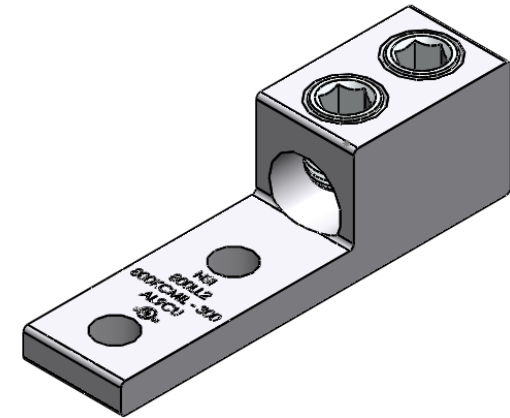
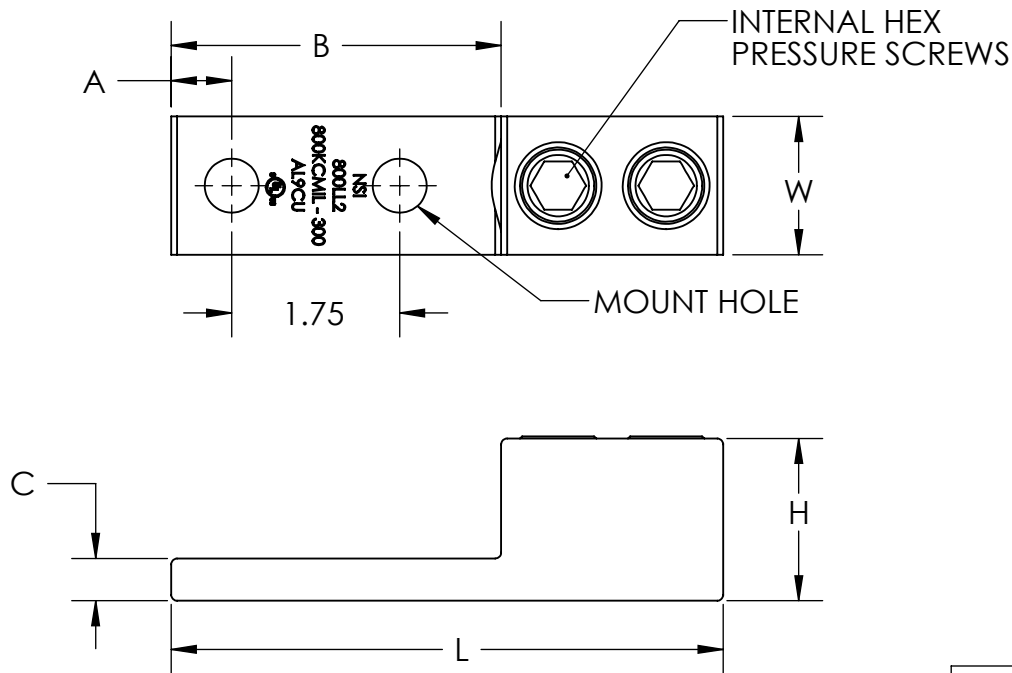




PART	WIRE RANGE	HEX SIZE	L	H	W	A	B	C	MOUNT HOLE
600LL2	600KCMIL - 2 AWG	3/8	5.50	1.51	1.38	.63	3.25	.38	9/16
800LL2	800 - 300KCMIL	1/2	5.75	1.69	1.44	.63	3.44	.44	9/16
1000LL2	1000 - 500KCMIL	9/16	6.19	1.88	1.69	.63	3.63	.44	9/16



CONTACT NSI FOR SALES @ 800.321.5847

		POLARIS SALES CO. INC	
<small>PROPRIETARY AND CONFIDENTIAL</small>		<small>11625 PROSPEROUS DRIVE ODESSA, FL 33556</small>	
<small>THE INFORMATION CONTAINED IN THIS DRAWING IS THE SOLE PROPERTY OF POLARIS SALES CO. INC. ANY REPRODUCTION IN PART OR AS A WHOLE WITHOUT THE WRITTEN PERMISSION OF POLARIS SALES CO. INC. IS PROHIBITED.</small>		TITLE: NSI Single Port Heavy Duty Mechanical Lug	
<small>NAME</small> S.PARRY		<small>DATE</small> 9/19/2012	
<small>DWG. NO.</small> 600-1000LL2-SERIES		<small>SCALE:</small> 1:2	
<small>MATERIAL:</small> SEE NOTES		<small>SHEET:</small> 1 OF 1	

NOTES:

1. TIN PLATED 6061-T6511 ALUMINUM ALLOY.
2. UL LISTED 90° C FOR COPPER AND ALUMINIUM CONDUCTOR.