

## Mechanical Lug - Single

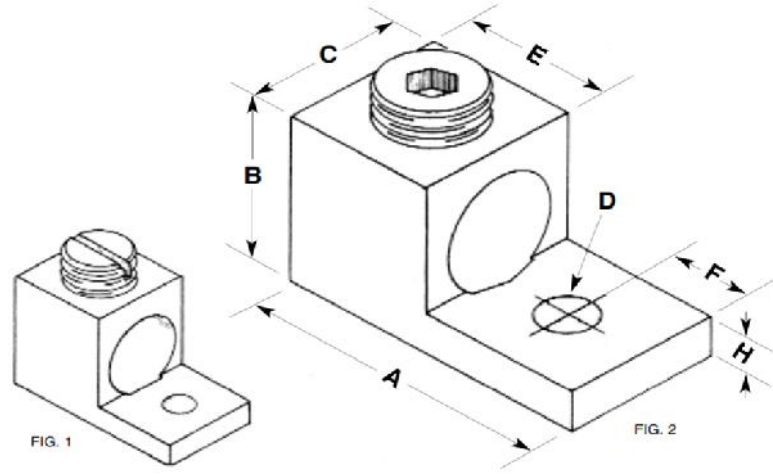
Versatile and reusable set screw connectors made of 6061T-6 aluminum alloy. Tin plated for low contact resistance. Suitable for use with both copper and aluminum conductors. Rated 600 volts.

**Drawn - SD**

**Approved - KM**

**Material - Aluminum**

**Title - Mechanical Lug - Single**



Part Number	Wire Range	Material	A	B	C	D	E	F	H
4T	4-14 AWG	Aluminum	1.062	0.500	0.500	0.265	0.375	0.250	0.094