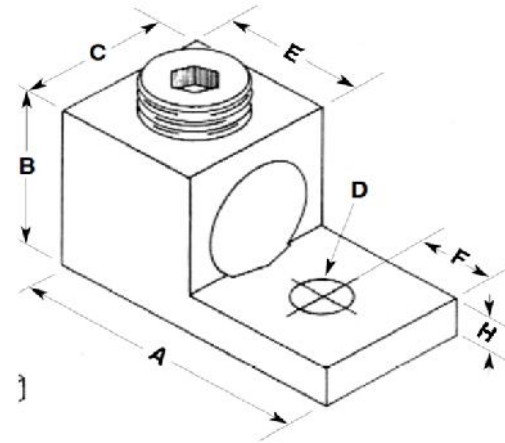


## Mechanical Lug - Single



Drawn - SD

Approved - KM

Material - Aluminum

Title - Mechanical Lug - Single



Part Number	Wire Range	Material	A	B	C	D	E	F	H
3/0T	3/0-6 AWG	Aluminum	1.875	0.890	0.700	0.265	0.880	0.500	0.145